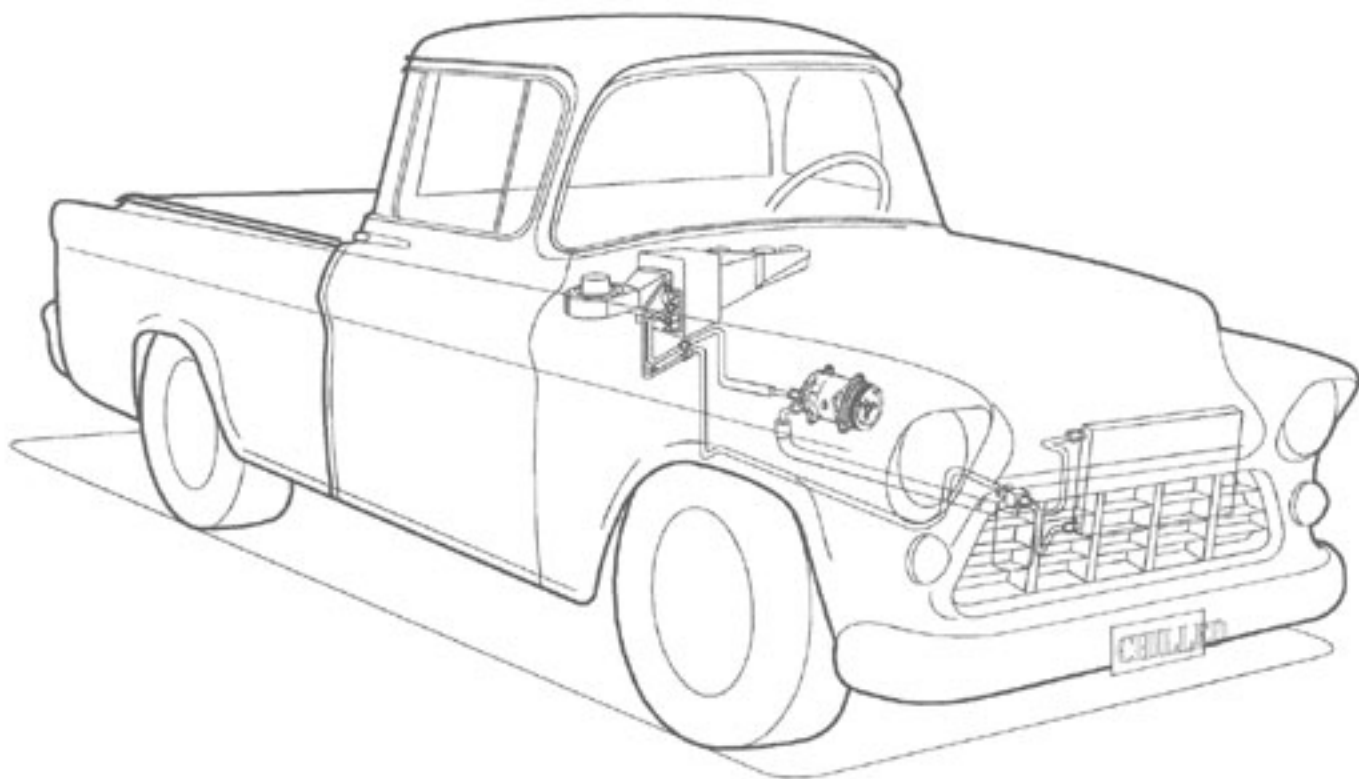


**ADVANTAGE**

INSTALLATION INSTRUCTIONS  
FOR

**1955-59  
CHEVY TRUCK**

**V8 SMALL BLOCK CHEVY  
(75055-LCZ-A)**



10305 I.H. 35 N. - SAN ANTONIO, TX. - 78233 - ph.210-654-7171 - fax 210-654-3113

10/16/01 55-59PU1

# 1955-59 CHEVY TRUCK

## WITHOUT FACTORY AIR CONDITIONING

### IMPORTANT NOTICE - PLEASE READ!

For Maximum Performance Vintage Air recommends the following:

1. V.A. PN:#**32918-VUF** (18") Heavy-Duty Fan **V8 CORE SUPPORT**
2. V.A. PN:#**32001-VUF** Monster Duty Fan Clutch (6 Cyl. Core Support) w/V8 Engine
3. V.A. PN:#**32518-VUF** (18") Clutch Fan Blade (6 Cyl. Core Support) w/V8 Engine
4. V.A. PN:#**37156-LCF** (18") Fan Shroud **V8 CORE SUPPORT**
5. V.A. PN:#**73056-LCR** Radiator '56-'59
6. V.A. PN:#**49755-LCI** Stainless Control Panel

### SERVICE INFO:

EVACUATE THE SYSTEM FOR 30-45 MINUTES WITH SYSTEM COMPONENTS  
(DRIER, COMPRESSOR, EVAPORATOR, CONDENSER)  
AT A TEMPERATURE OF AT LEAST 85°F.  
ON A COOL DAY THE COMPONENTS CAN BE HEATED WITH A HEAT GUN  
OR BY RUNNING THE ENGINE WITH THE HEATER ON BEFORE EVACUATING.

### REFRIGERANT CAPACITIES:

**134a SYSTEM** CHARGE WITH 1.8 LBS. OF REFRIGERANT

**R-12 SYSTEM** CHARGE WITH 2.0 LBS. OF REFRIGERANT

### LUBRICANT CAPACITIES:

NEW COMPRESSOR - NO ADDITIONAL OIL NEEDED  
USED COMPRESSOR - CONSULT VINTAGE AIR

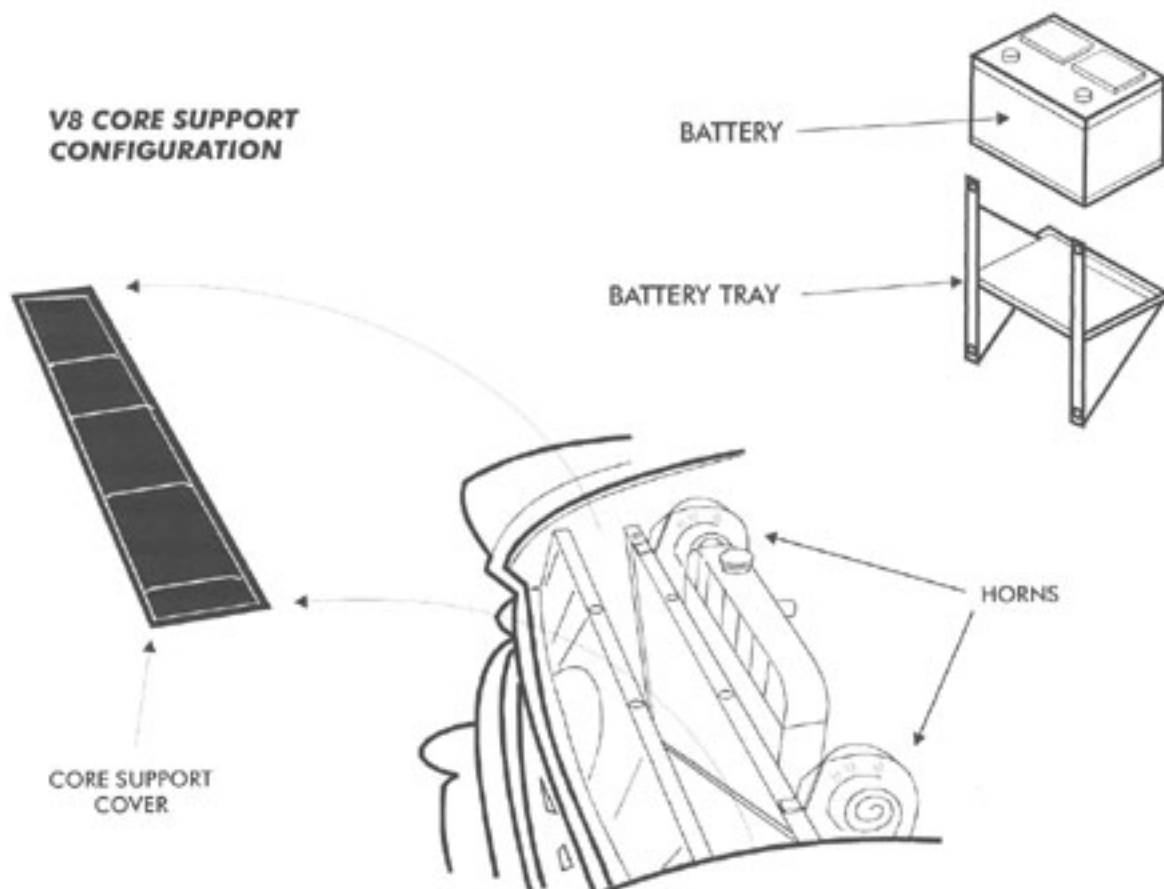
## 55-59 CHEVY TRUCK

**NOTE** → BEFORE STARTING THE AIR CONDITIONING INSTALLATION, CHECK FOR PROPER OPERATION OF ALL COMPONENTS (RADIO, LIGHTS, WIPERS, ETC.). STUDY THE INSTRUCTIONS, ILLUSTRATIONS AND DIAGRAMS. **FOR EASE OF INSTALLATION CHECK OFF (✓) EACH PROCEDURE PRIOR TO MOVING ON TO THE NEXT STEP. (DISCONNECT THE BATTERY)**

### ENGINE COMPARTMENT

- |   |   |
|---|---|
| <input type="checkbox"/> 1. REMOVE BATTERY                            | <input type="checkbox"/> 4. REMOVE OEM FAN & FAN SHROUD           |
| <input type="checkbox"/> 2. REMOVE BATTERY TRAY                       | <input type="checkbox"/> 5. DRAIN WATER & REMOVE RADIATOR         |
| <input type="checkbox"/> 3. REMOVE TOP COVER ON RADIATOR CORE SUPPORT | <input type="checkbox"/> 6. REMOVE PASSENGER SIDE HORN            |
|   | <input type="checkbox"/> 7. REMOVE ALL OEM HEATER HOSES (DISCARD) |

#### V8 CORE SUPPORT CONFIGURATION



## 55-59 CHEVY TRUCK

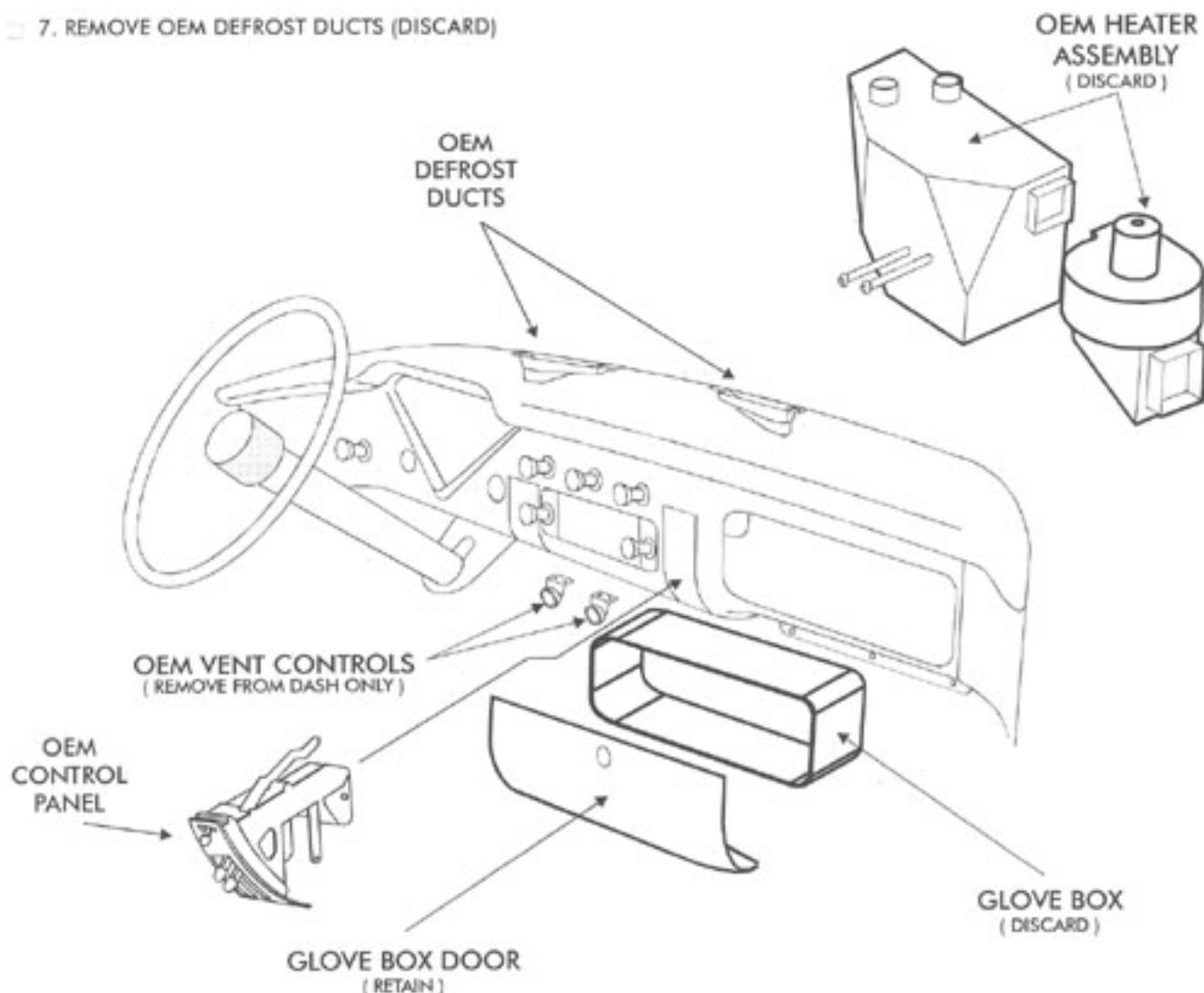
### PASSENGER COMPARTMENT

- ❑ 1. REMOVE FRONT SEAT FOR EASE OF A/C INSTALLATION (OPTIONAL)
- ❑ 2. REMOVE GLOVE BOX DOOR (RETAIN)
- ❑ 3. REMOVE GLOVE BOX (DISCARD) (SAVE ALL OEM HARDWARE)
- ❑ 4. REMOVE OEM CONTROL PANEL
- ❑ 5. REMOVE OEM HEATER ASSEMBLY (DISCARD)
- ❑ 6. REMOVE OEM VENT CONTROL CABLES FROM THE UNDERSIDE OF THE DASH.

**NOTE** →

THE VINTAGE AIR SYSTEM WILL ALLOW YOU TO RETAIN THE OEM SIDE VENTS IF YOU SO DESIRE. IT IS NOT NECESSARY TO REMOVE THE CABLES FROM THE KICK PANEL DOORS. THE CABLE PULL KNOB BRACKETS CAN BE REATTACHED LATER, TO THE VINTAGE AIR SYSTEM. IF YOU CHOOSE TO DISABLE THE VENT FUNCTION, LOCK THE DOORS IN THE KICKPANEL CLOSED WITH A SHEETMETAL SCREW.

- ❑ 7. REMOVE OEM DEFROST DUCTS (DISCARD)



**RADIATOR ASSEMBLY**

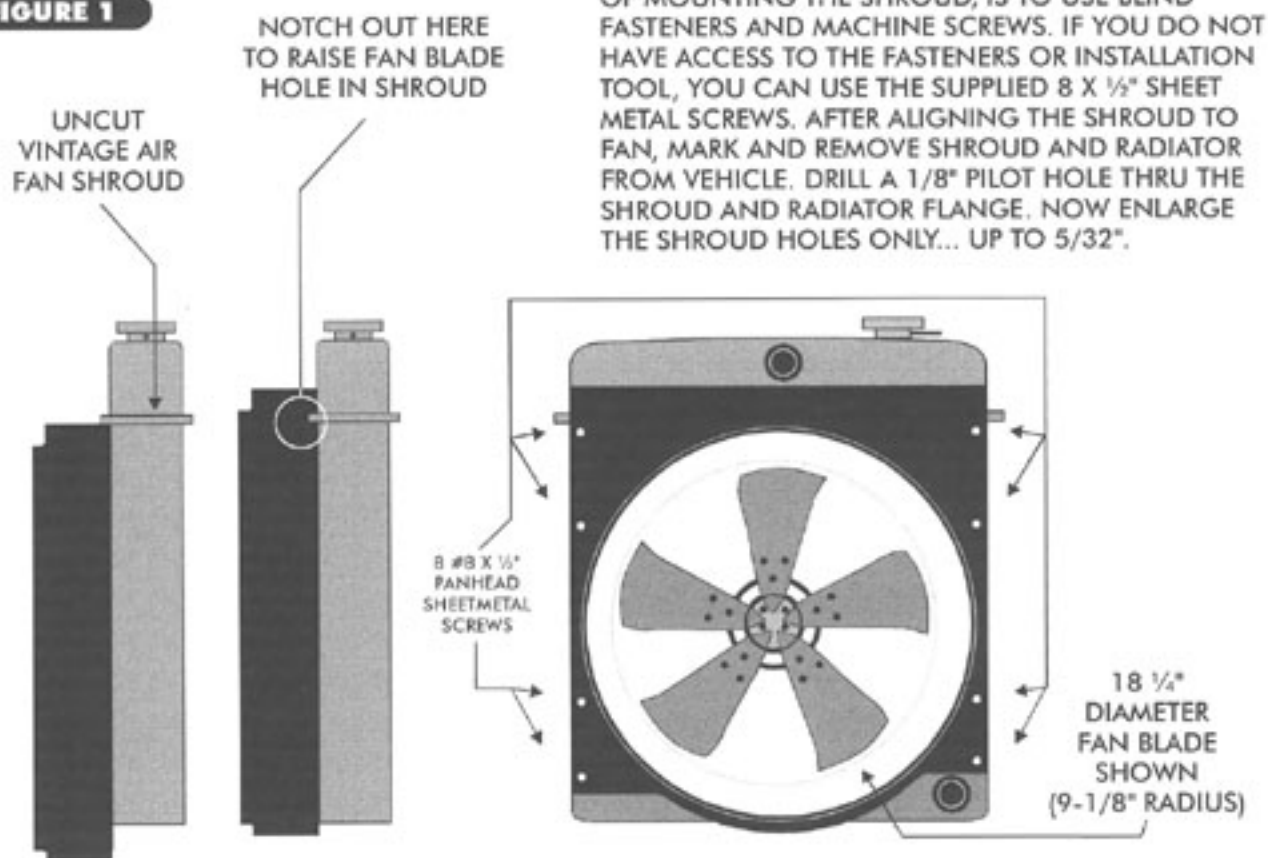
**NOTE** → DUE TO MOTOR MOUNT RUBBER THICKNESS VARIATIONS WE RECOMMEND TRIAL FITTING THE FAN & SHROUD IN THE VEHICLE TO VERIFY FAN BLADE CLEARANCE.

- INSTALL THE RADIATOR FAN BLADE. (VINTAGE AIR 18.25" BLADE DIAMETER, PART #32918-VUF). INSTALL SHROUD AND RADIATOR AND CHECK FOR PROPER FAN BLADE CLEARANCE (SEE FIGURE 1).

THE VINTAGE AIR FAN SHROUD PART #37156-LCF WAS DESIGNED TO HELP MINIMIZE MISALIGNMENT CAUSED BY ENGINE MOTOR MOUNT RUBBER THICKNESS VARIATIONS AND MINOR ENGINE HEIGHT DIFFERENCES.

THE SHROUD CAN BE NOTCHED IN THE TOP RADIATOR TANK AREA (UP TO 1 1/2") IN ORDER TO RAISE THE FAN BLADE HOLE UP TO CORRECT THE MISALIGNMENT.

**NOTE** → (ENGINE DRIVEN FANS)...IF USING THICK RUBBER MOTOR MOUNTS A SMALL AMOUNT OF FAN BLADE OFFSET (FROM THE CENTERLINE) IS DESIREABLE. THIS WILL HELP COMPENSATE FOR THE NATURAL TORQUE MOVEMENT OF THE ENGINE UNDER ACCELERATION.

**FIGURE 1**


- AFTER ALIGNING SHROUD, THE PREFERRED METHOD OF MOUNTING THE SHROUD, IS TO USE BLIND FASTENERS AND MACHINE SCREWS. IF YOU DO NOT HAVE ACCESS TO THE FASTENERS OR INSTALLATION TOOL, YOU CAN USE THE SUPPLIED 8 X 1/2" SHEET METAL SCREWS. AFTER ALIGNING THE SHROUD TO FAN, MARK AND REMOVE SHROUD AND RADIATOR FROM VEHICLE. DRILL A 1/8" PILOT HOLE THRU THE SHROUD AND RADIATOR FLANGE. NOW ENLARGE THE SHROUD HOLES ONLY... UP TO 5/32".

**ASSEMBLY... ENGINE COMPARTMENT**

- LOWER SHROUD OVER FAN AND SLIDE SHROUD BACK AGAINST THE ENGINE. LOWER THE RADIATOR INTO POSITION. LOWER THE CONDENSOR INTO POSITION AS SHOWN IN FIGURE 3, PG5 AND INSTALL ALL THE RADIATOR BOLTS. REATTACH FAN SHROUD TO RADIATOR.

**DRIER ASSEMBLY (V8 CORE SUPPORT)**

- ATTACH DRIER TO DRIER BRACKET WITH CLAMP AND A #8 X 1/2" SHEET METAL SCREW (SEE FIGURE 3, PG5). DO NOT TIGHTEN COMPLETELY. (THIS WILL ALLOW THE DRIER TO BE ROTATED INTO PROPER ALIGNMENT WITH THE ALUMINUM HARDLINES, LATER.)
- MOUNT DRIER & BRACKET ASSEMBLY TO PASS. SIDE CORE SUPPORT USING THE 5/16" OEM BOLTS (BOLTS CAN BE ACCESSED THROUGH THE GRILL). UNCAP DRIER ONLY LONG ENOUGH TO MAKE THE CONNECTIONS. **DO NOT LEAVE THE DRIER EXPOSED TO MOISTURE.**

**DRIER ASSEMBLY (6 CYL. CORE SUPPORT)**

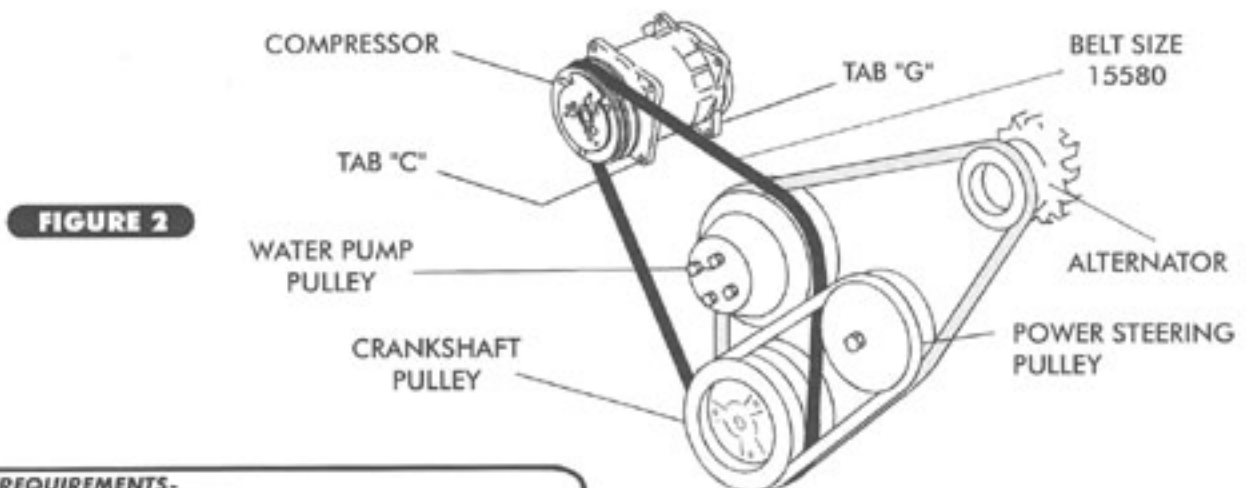
- ATTACH DRIER TO INNER FENDER ON PASSENGER SIDE AS SHOWN IN FIGURE 4, PG6.

**COMPRESSOR & BRACKETS**

- REFER TO SEPARATE INSTRUCTIONS TO INSTALL COMPRESSOR BRACKET USING HARDWARE INCLUDED WITH THE BRACKET.
- INSTALL COMPRESSOR USING TABS "C" AND "G". SEE FIGURE 2.

**BELTS & PULLEYS**

- THE A/C BELT ROUTES AROUND THE FRONT GROOVE ON THE WATER PUMP AND CENTER CRANK PULLEY. THE ALTERNATOR BELT ROUTES AROUND THE BACK GROOVE ON THE WATER PUMP AND CRANK PULLEY. (SEE FIGURE 2). ADJUST ALL BELTS AND TIGHTEN BRACKET BOLTS.

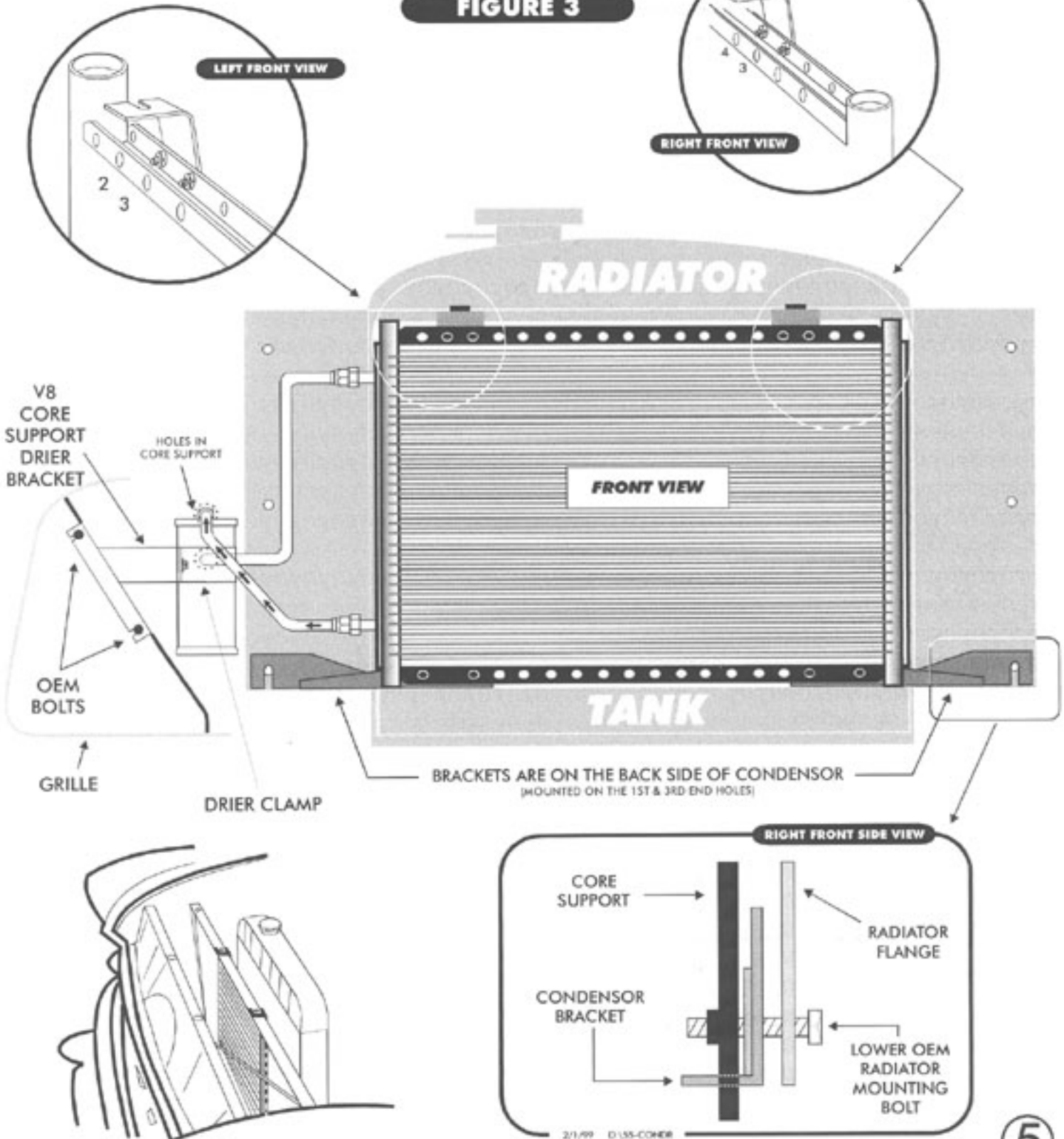


**PULLEY REQUIREMENTS-**

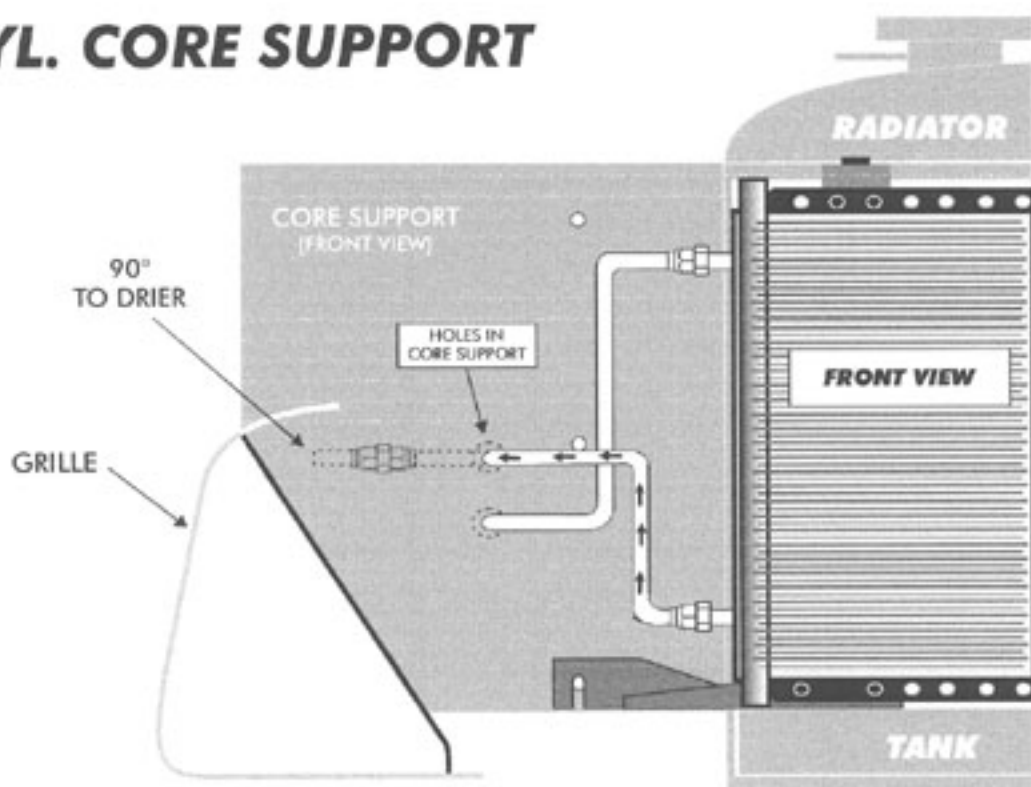
DOUBLE GROOVE WATER PUMP PULLEY #22302-VUQ  
 DOUBLE GROOVE CRANK PULLEY #22312-VCQ  
 IF EQUIPPED WITH POWER STEERING PUMP,  
 A THREE GROOVE CRANK PULLEY IS REQUIRED. #22313-VCQ

**V8 CORE SUPPORT**

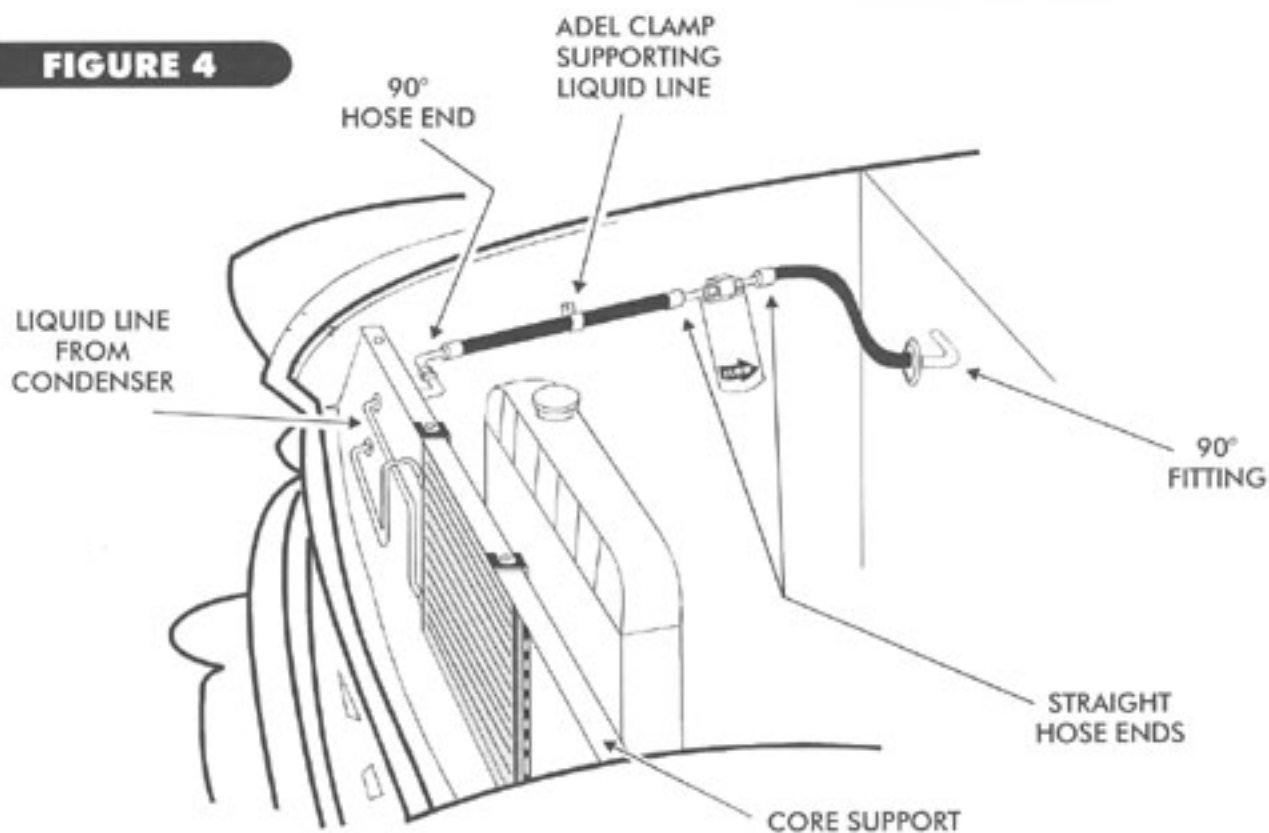
**FIGURE 3**



## 6 CYL. CORE SUPPORT




**FIGURE 4**





### CORE SUPPORT

- LOCATE THE CORE SUPPORT TEMPLATE ON PAGE 20.
- PLACE TEMPLATE IN THE POSITION SHOWN. MARK THE HOLES AND REMOVE THE TEMPLATE, USING A 1-1/4" SIZE HOLESAW, DRILL THE 2 HOLES IN THE CORE SUPPORT.


**NOTE**  IF YOUR TRUCK IS INSULATED WITH A MODERN HIGH QUALITY SOUND AND HEAT INSULATION YOU MAY OMIT THE FOLLOWING REMOVAL STEPS. HOWEVER... IF THE INSULATION IS **THICKER THAN 1/4"** IN THE POSITION NOTED IT WOULD ADVERSLY AFFECT THE EVAPORATOR TO DASH CLEARANCE, IN THE GLOVE BOX AREA.

### FIREWALL PREPARATION

- FIREWALL INSULATION MUST BE CUT AND REMOVED IN THE POSITION NOTED IN FIGURE 5, PG8 FOR CLEARANCE.
- CUT THE ORIGINAL JUTE AND CARDBOARD INSULATION AS SHOWN USING THE SUPPLIED REPLACEMENT DENSE FOAM INSULATION AS A PATTERN.
- REMOVE THE ORIGINAL INSULATION.
- LOCATE THE FIREWALL TEMPLATE ON PAGE 22.
- FROM THE **PASSENGER FLOORBOARD**, PLACE TEMPLATE ON FIREWALL AS SHOWN.
- VERIFY THE HOLES NOTED ON THE TEMPLATE AND MARK ALL THE HOLES.
- DRILL THE HOLES TO THE SIZES INDICATED. SOME HOLES MAY ALREADY BE IN THESE POSITIONS BUT MAY HAVE TO BE ENLARGED WITH A DIE GRINDER OR LARGE RAT-TAIL FILE.
- PEEL THE PROTECTIVE FILM FROM THE PATTERN FOAM AND STICK THE FOAM TO THE AREA WHERE THE ORIGINAL INSULATION WAS REMOVED.
- CUT OUT THE FIREWALL HOLES COVERED BY THE NEW INSULATION.

### PASSENGER COMPARTMENT

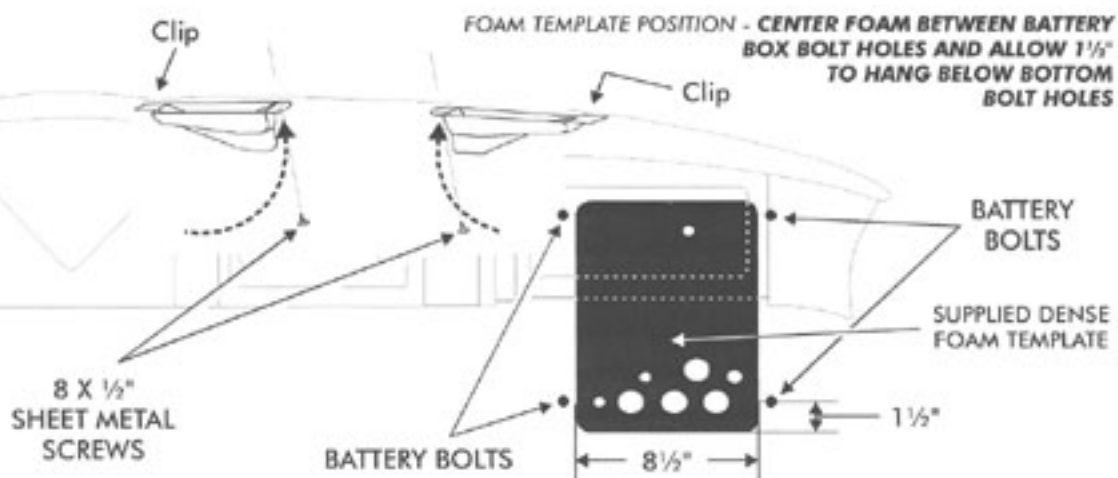
- LOCATE THE (2) TWO 2" O.D. DUCT HOSES, ATTACH THE 14" LONG DUCT HOSE TO THE DRIVER SIDE DEFROST DUCT. LOCATE THE 17" LONG 2" O.D. HOSE AND ATTACH TO THE PASS. SIDE DUCT. INSTALL DUCTS SECURING WITH CLIP AND SHEET METAL SCREW AS SHOWN IN FIGURE 5, PG8.

**NOTE**  THE OEM CABLE ADJUSTMENT LOCKS CAN BE REMOVED BY DRILLING THE RIVETS OUT AND REPLACING WITH THE SUPPLIED MACHINE SCREWS AND NYLON LOCK-NUTS.. (SEE FIGURE 7, PG9)

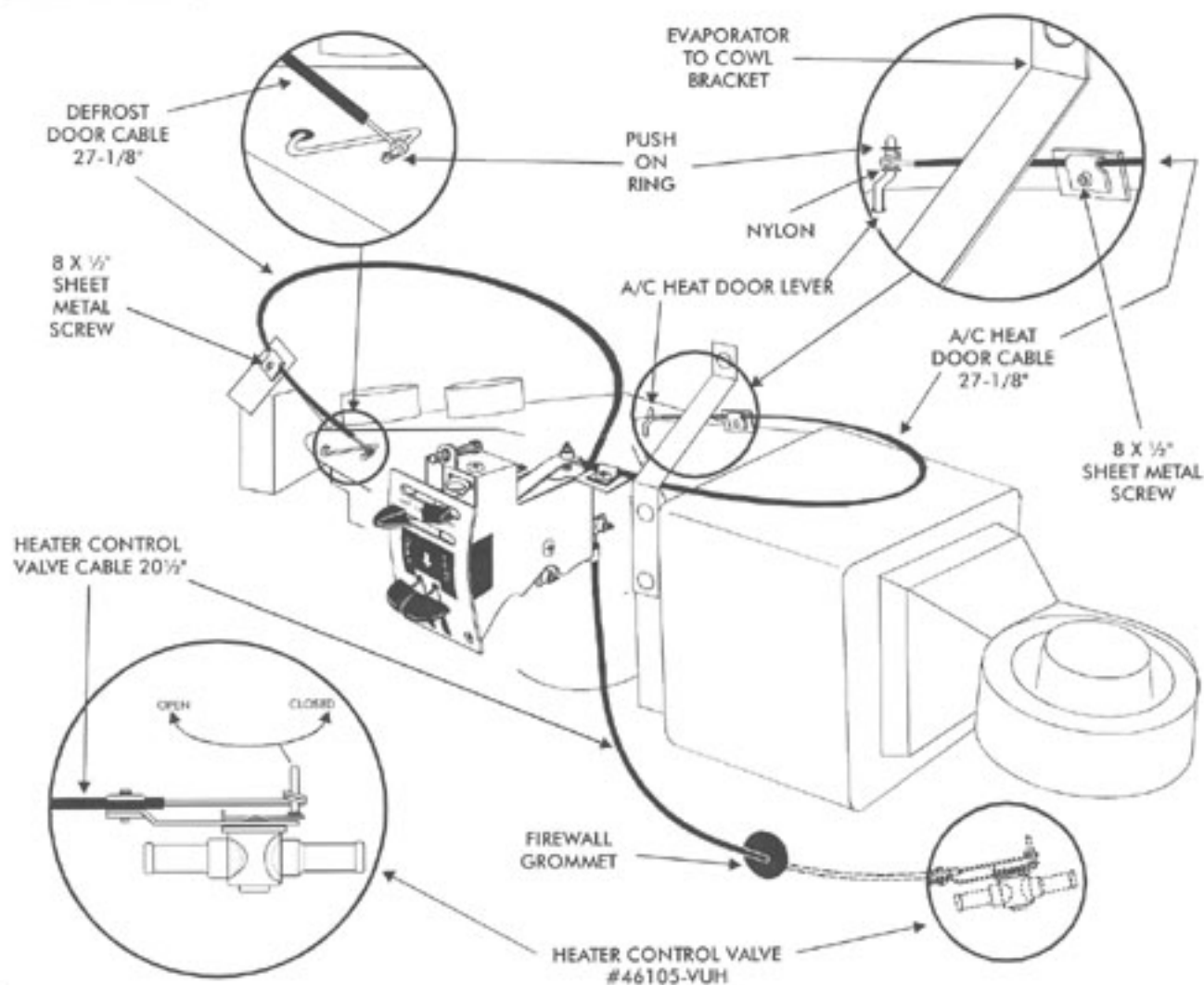
### CONTROL PANEL ASSEMBLY

- ATTACH CABLES TO OEM CONTROL PANEL USING NYLON BUSHINGS AND 4/40" X 5/8" MACHINE SCREWS & 4/40" NYLOC NUTS. REFER TO FIGURE 7, PG9 FOR PROPER CABLE LENGTH AND LOCATION. (**PAY PARTICULAR ATTENTION TO THE CABLE EYE ORIENTATION AT THE BUSHING AND MAKE SURE YOU INSTALL THE EYE ON THE BUSHING AS SHOWN.**)
- CONNECT CABLES TO THE EVAPORATOR AS SHOWN IN FIGURE 6, PG8.

**FIGURE 5**



**FIGURE 6**



**IF USING THE OPTIONAL STAINLESS STEEL VINTAGE AIR CONTROL PANEL, REFER TO INSTRUCTIONS SUPPLIED WITH THE PANEL**

4/40" x 5/8" Bolt  
(Install bolt thru the mounting plate into the OEM switch mounting hole and install the locknut from underneath.)

Vintage Air Blower Speed Switch

Mounting Plate

A/C Heat Door Cable

4/40" Nylock Nut

#8 x 1/2" Screw

**FIGURE 7**

Nylon Spacer(s)

Cable Clip

**REPLACE OEM CONTROL PLACARD WITH THE NEW (SUPPLIED) VINTAGE AIR PLACARD**

**IMPORTANT... CHANGE THIS TO THIS ON ALL LEVERS**

Temp Lever

Nylon

Temp Lever Cable Clamp

4/40 x 5/8" bolt

Nylon

4/40 Nylock

Heater Control Valve Cable

**REPLACE OEM CABLE CLAMP WITH SUPPLIED 4/40" X 5/8" MACHINE SCREWS, NYLOCK NUTS & NYLON BUSHINGS ON ALL CONTROL LEVERS**

4/40 Nylock

Nylon

A/C Heat Door Lever

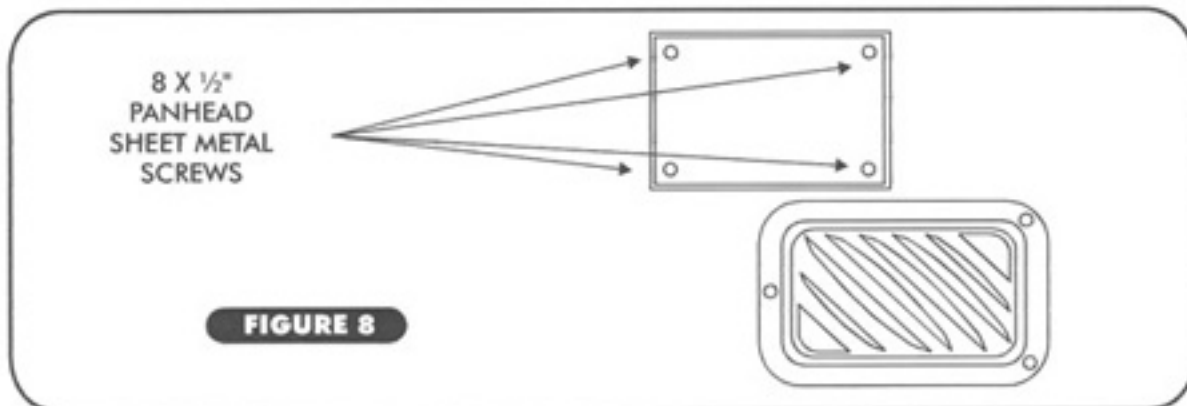
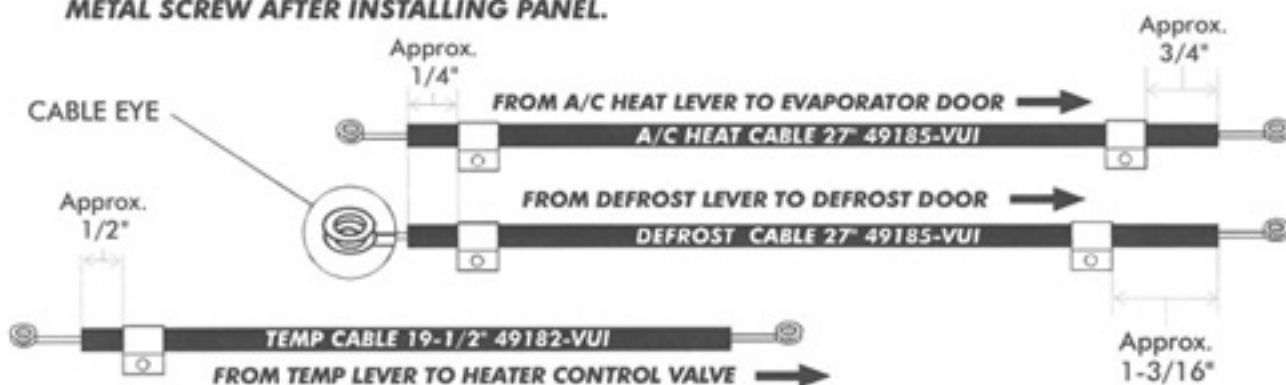
Cable

Nylon

**CONTROL PANEL ASSEMBLY**

- ATTACH CABLES TO OEM CONTROL PANEL USING NYLON BUSHINGS AND 4/40" X 5/8" MACHINE SCREWS & 4/40" NYLOC NUTS. SEE PAGE 9 FOR PROPER ORIENTATION OF THE CABLE EYES. **(PAY PARTICULAR ATTENTION TO THE CABLE EYE ORIENTATION AT THE BUSHING AND MAKE SURE YOU INSTALL THE EYE OF THE CABLE ON THE BUSHING AS SHOWN FOR EACH CONNECTION. ADJUST CABLES AND MAKE SURE THE DOORS COMPLETELY OPEN AND CLOSE.)**

➔ **BEFORE INSTALLING THE PANEL INTO THE DASH YOU MUST REMOVE THE TEMP LEVER CABLE CLAMP FROM THE PANEL SO THAT THE CABLE IS FREE TO SWING. REINSTALL 8 X 1/2" SHEET-METAL SCREW AFTER INSTALLING PANEL.**



### ELECTRICAL WIRING

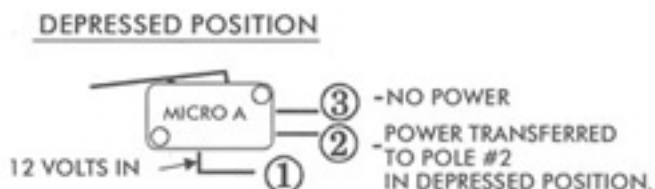
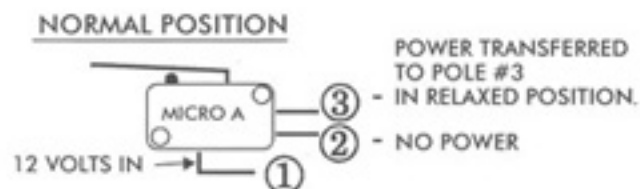
VINTAGE AIR RECOMMENDS TESTING OF CONTROL PANEL & EVAPORATOR ON THE WORK-BENCH FOR PROPER OPERATION, PRIOR TO INSTALLATION.

- AFTER INSTALLING CABLES AND VERIFYING FULL OPENING AND CLOSING OF EVAPORATOR DOOR, HEAT/DEFROST DOOR AND HEATER CONTROL VALVE, YOU ARE READY TO COMPLETE THE WIRING TO VERIFY PROPER OPERATION OF THE UNIT.

**NOTE** → **THE COMPRESSOR SAFETY SWITCH (BOTH BINARY OR TRINARY TYPE) WILL NOT OPERATE COMPRESSOR CLUTCH, (SWITCH ON) UNTIL THERE IS REFRIGERANT PRESSURE AVAILABLE. CHECK FOR PROPER A/C COMPRESSOR CLUTCH POWER (12 VOLTS ) AT THE THERMOSTAT. (THE OPTIONAL TRINARY SWITCH CONTROLS AN ELECTRICAL FAN. SEE INSTRUCTIONS PACKAGED WITH THE SWITCH)**

**NOTE** → ALL VINTAGE AIR MICRO SWITCHES ARE CAREFULLY SET AT THE FACTORY. HOWEVER.... IF YOU SHOULD EXPERIENCE A PROBLEM WITH THE OPERATION OF YOUR A/C UNIT - DOUBLE CHECK THE ADJUSTMENT OF THE MICRO SWITCHES.

### MICRO SWITCH ADJUSTMENTS



BY DEPRESSING THE ARM ON THE MICRO SWITCH AN AUDIBLE CLICK WILL BE HEARD TRANSFERRING POWER TO POLE #2.  
RELEASE THE ARM AND ANOTHER CLICK WILL BE HEARD, TRANSFERRING POWER TO POLE #3.

### WIRING FOR TESTING

- ATTACH THE WIRE FROM POLE #1 OF MICRO A ON THE TOP OF THE EVAPORATOR TO THE A/C POLE ON THE BLOWER SPEED SWITCH. (SEE WIRING DIAGRAM PG21).

- ATTACH ALL WHITE WIRES TOGETHER AND GROUND TEMPORARILY.
- THE RED WIRE IN THE WIRING HARNESS CONNECTS TO BATTERY POWER. (12 VOLTS)
- THE PURPLE WIRE WILL ALSO NEED TO BE CONNECTED TO DIRECT POWER FOR TESTING PURPOSES. IT MUST BE HOOKED TO **IGNITION ON POWER ONLY** ONCE INSTALLED IN THE VEHICLE.
- ADJUST THE CONTROL PANEL LEVERS TO THE **A/C MODE**. SEE FIGURE 10, PG13
- TURN THE BLOWER SPEED SWITCH TO **LOW**. THERE SHOULD BE POWER AT THE A/C THERMOSTAT.
- SELECT THE **HEAT** MODE AND POWER WILL CEASE AT THE THERMOSTAT.
- SELECT **DEFROST** MODE AND A/C CLUTCH POWER WILL RETURN TO THE THERMOSTAT.
- IF ALL TESTS WERE SUCCESSFUL **TAG AND LABEL** THE WIRES FOR EASE OF INSTALLATION INTO THE VEHICLE.
- REMOVE ALL CABLES FROM THE EVAPORATOR AND THE HEATER CONTROL VALVE. **TAKE THE TEMP CABLE CLAMP OFF THE PANEL SO IT IS FREE TO ROTATE ON THE BUSHINGS.**

### CONTROL PANEL INSTALLATION

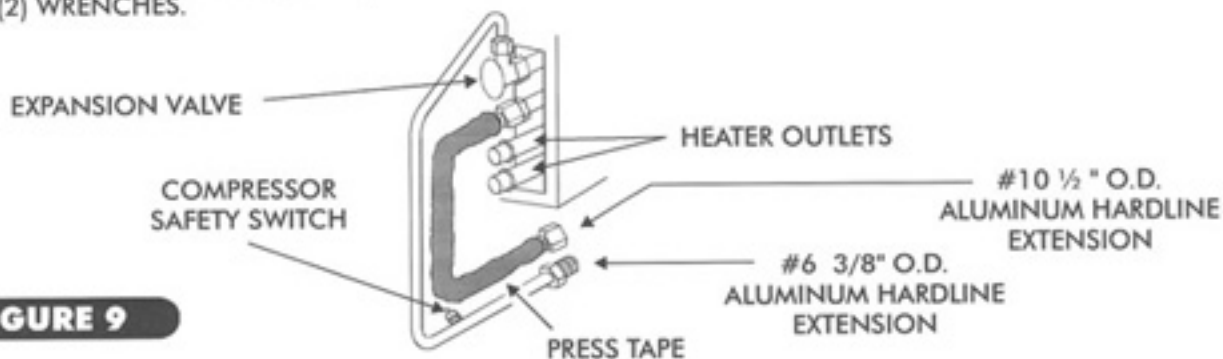
- INSTALL THE CONTROL PANEL INTO THE DASH. REPLACE THE COUNTER SUNK OEM SCREWS AND NUTS. TIGHTEN THE LOCKING BOLTS ON THE CONTROL PANEL TO RETAIN THE TOP OF THE PANEL. (DO NOT OVERTIGHTEN THE BOLTS.)

### EVAPORATOR INSTALLATION

- IMPORTANT: BEFORE INSTALLING THE EVAPORATOR BE SURE THAT ALL WIRING AND CABLES HAVE BEEN CHECKED FOR PROPER OPERATION

**LOCATE THE O-RING PACKAGE. THERE IS A SPECIFIC SIZE AND THICKNESS O-RING FOR EACH CONNECTION. THE SMALL WHITE TUBE IS A SPECIFIC OIL FOR O-RINGS AND THREADS. SEE FIGURE 11, PAGE 14. O-RINGS SHOULD NOT BE REUSED ONCE A FITTING IS TIGHTENED (DISCARD AND INSTALL NEW O-RINGS). DO NOT OVER TIGHTEN. ALWAYS USE TWO (2) WRENCHES TO PREVENT TWISTING THE FITTINGS ON HARDLINE (SEE FIGURE 12, PG 14).**

- LOCATE THE 3/8" O.D. #6 ALUMINUM HARDLINE EXTENSION (SEE FIGURE 9) LUBRICATE THE O-RING (SEE FIGURE 11, PG14) AND CONNECT THE HARDLINE TO THE EXPANSION VALVE USING TWO (2) WRENCHES.



**FIGURE 9**

## OPERATION OF CONTROLS

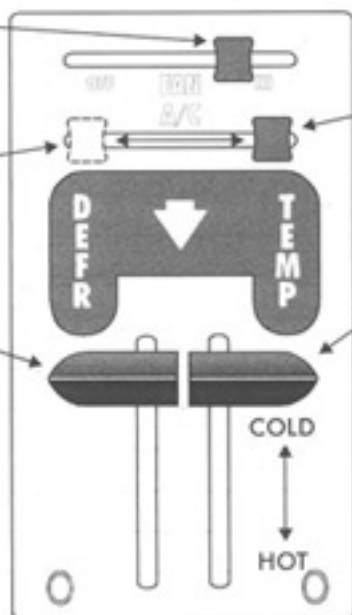
**FIGURE 10**

THIS LEVER CONTROLS THE FAN SPEEDS, OFF, LOW, MEDIUM & HIGH.

### FAN SPEED

A/C POSITION

**DEFROST LEVER:** PUSHING LEVER ALL THE WAY DOWN ACTIVATES THE A/C CLUTCH (IN THE DEFROST MODE) AND DIRECTS THE DEHUMIDIFIED AIR TO THE DEFROST VENTS



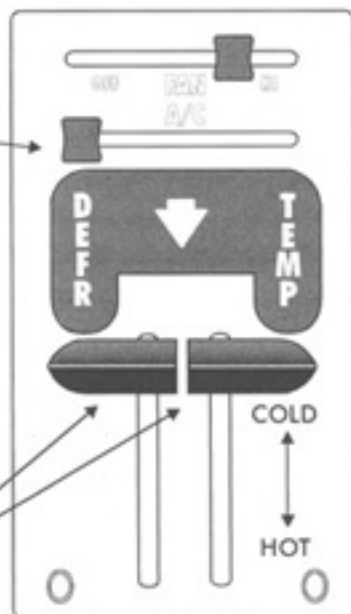
HEAT DEFROST POSITION

**TEMP LEVER:** BY VARYING THE POSITION OF THIS LEVER THE TEMP OF EXITING AIR CAN BE INCREASED OR DECREASED

**TO TURN SYSTEM OFF IN ANY MODE SLIDE THE TOP LEVER TO THE LEFT**

### A/C MODE

THIS LEVER TO THE LEFT



BOTH LEVERS PULL "UP"

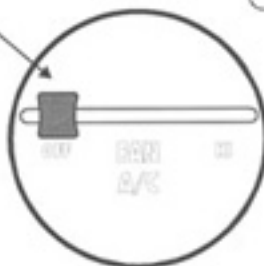
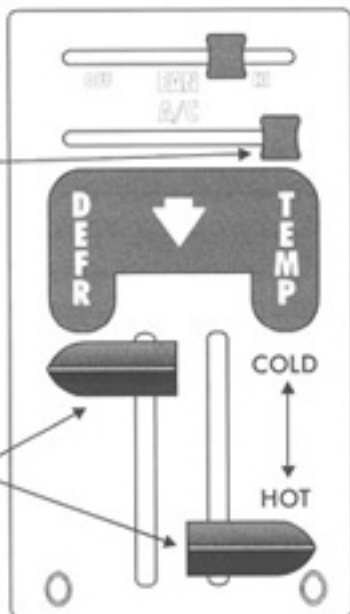
**NOTE**

**OEM PANEL:** REMOVE THE OEM CONTROLS PLACKARD AND REPLACE WITH THE SUPPLIED PLACKARD

### HEAT MODE

THIS LEVER TO THE RIGHT

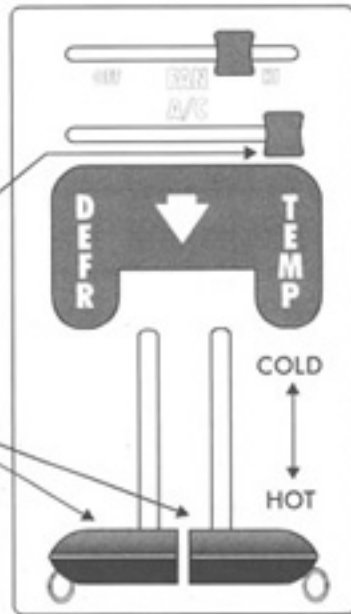
LEFT LEVER UP, RIGHT LEVER DOWN



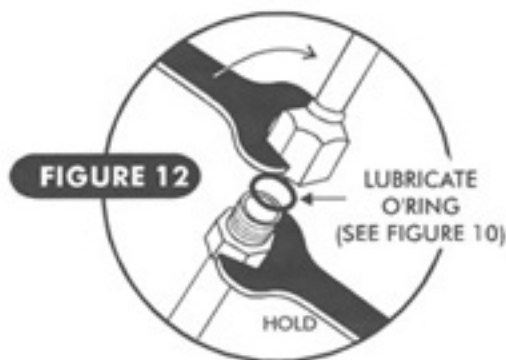
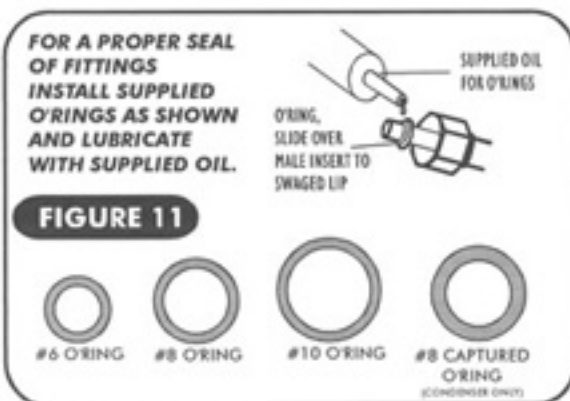
### DEFROST MODE

THIS LEVER TO THE RIGHT

BOTH LEVERS PUSH DOWN



- LOCATE THE 1/2" O.D. #10 ALUMINUM HARDLINE EXTENSION. LUBRICATE AND INSTALL A #10 O'RING. CONNECT THE HARDLINE TO THE SUCTION FITTING ON THE EVAPORATOR AND TIGHTEN USING TWO (2) WRENCHES (SEE FIGURE 11 & 12) THIS PAGE.
- WRAP THE #10 LINE WITH PRESS TAPE COVERING ALL EXPOSED METAL SURFACES. **THIS WILL PREVENT CONDENSATION FROM FORMING ON THE LINE.** (DO NOT COVER THE NUT ON THE BOTTOM OF THE LINE UNTIL THE #10 SUCTION HOSE FITTING IS CONNECTED TO IT IN THE HOSE ROUTING SECTION. BE SURE TO SAVE SOME PRESS TAPE FOR THIS STEP) SEE FIGURE 9, PG12



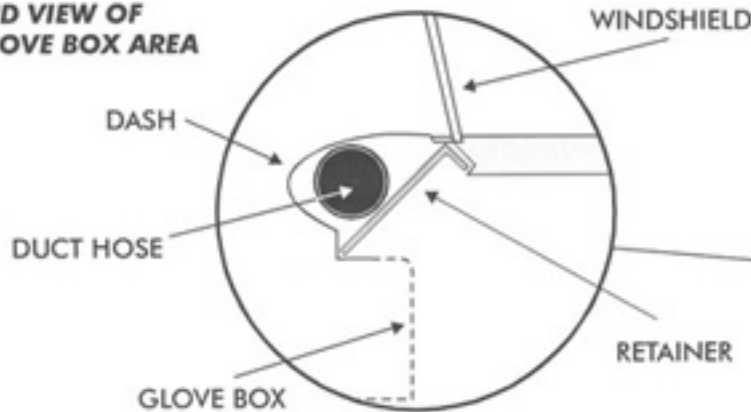
- LOCATE THE DIRECTIONAL AIRFLOW ADAPTER. INSTALL THE 2 1/2" O.D. X 38" LONG DUCT HOSE TO THE OVAL HOSE ADAPTER ON TOP. SEE FIGURE 14, PAGE 15
- CUT A 3" PIECE OF PRESS TAPE AND STRETCH THE TAPE TO ABOUT 6". FOLD THE TAPE END TO END, TWICE. STICK THE TAPE TO THE RIGHT SIDE OF THE ADAPTER IN THE POSITION SHOWN IN FIGURE 14, AND INSTALL IN THE PASSENGER CORNER AS HIGH AS IT WILL GO. (IT WILL BE AGAINST THE FIREWALL AND THE KICKPANEL). PRESS THE DUCT AGAINST THE KICKPANEL TO ADHERE IT. LAY EVAPORATOR UNDER THE DASH ON PASSENGER SIDE.
- RAISE THE EVAPORATOR UP AND POSITION IT UNDER THE DASH. THE BACK OF THE UNIT IS SUPPORTED BY A 1/4" X 1" BOLT THRU THE FIREWALL TO THE BRACKET ON THE BACK OF THE EVAPORATOR CASE. LEVEL THE EVAPORATOR SIDE TO SIDE. **(THIS WILL ASSURE PROPER WATER DRAINAGE)** SEE FIGURE 13, PAGE 15

**NOTE** → STEP 2 MAY REQUIRE DRILLING A HOLE TO GET THE SCREW STARTED, IF SO, USE THE LOCATION OF THE BRACKET AS A GUIDE.

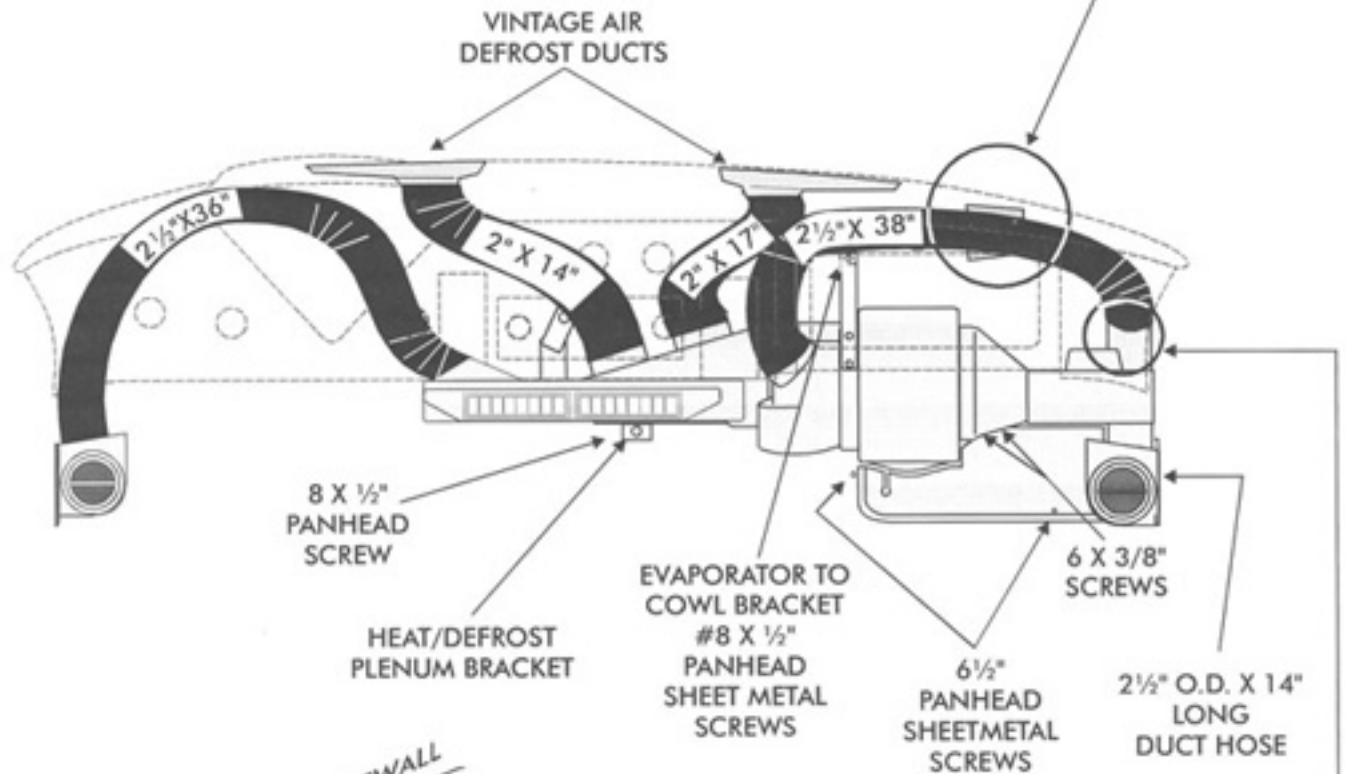
- INSTALL A #8 X 1/2" PAN HEAD SHEET METAL SCREW THRU THE BLOWER BRACKET AND INTO THE OEM HOLE IN THE KICK PANEL. PUSH THE EVAPORATOR TO COWL BRACKET UP TO THE COWL. ATTACH WITH A #8 X 1/2" PANHEAD SHEET METAL SCREW. **(MAKE SURE THE EVAPORATOR STAYS LEVEL LEFT AND RIGHT)** SEE FIGURE 13 AND 13A, PG 15
- DRILL AN 1/8" HOLE IN THE FIREWALL USING THE HEAT DEFROST PLENUM BRACKET MOUNTING HOLE AS A GUIDE. INSTALL A #8 X 1/2" PANHEAD SHEET METAL SCREW. SEE FIGURE 13 PG 15.



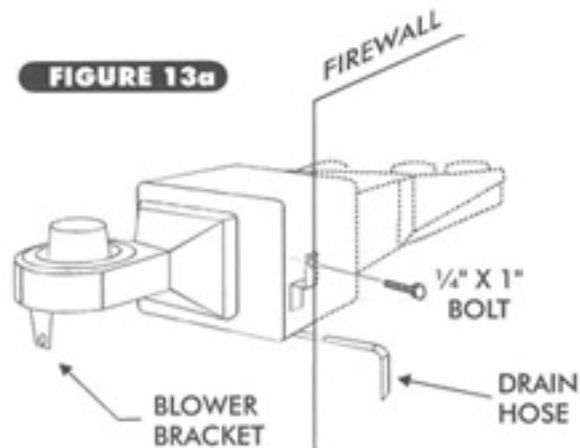
**END VIEW OF GLOVE BOX AREA**



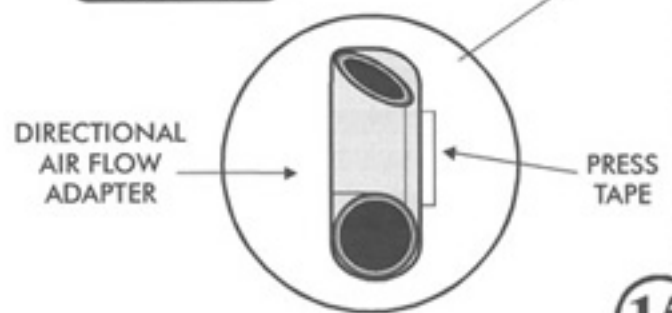
**FIGURE 13**



**FIGURE 13a**



**FIGURE 14**



**CONTROL PANEL CABLES**

- CONNECT CONTROL PANEL CABLES TO EVAPORATOR UNIT AS SHOWN IN FIGURE 6, PG 8.
- CONNECT TEMP CABLE TO THE HEATER CONTROL VALVE. (MAKE SURE THE VALVE IS CLOSED ALL THE WAY WHEN THE TEMP LEVER IS IN THE A/C MODE POSITION. (SEE FIGURE 10, PG 13, AND FIGURE 6, PG 8)
- CONNECT ALL WIRING ACCORDING TO SCHEMATIC ON PAGE 21. ROUTE ALL WIRES TO THE DRIVERS SIDE OF THE CONTROL PANEL AND THRU THE ADEL CLAMP. BE SURE ALL WIRING CLEARS THE LEVERS ON THE CONTROL PANEL.

**HOSES: REFRIGERATION/HEATER (6 CYL. CORE SUPPORT)**

IF YOU HAVE A 6 CYLINDER CORE SUPPORT THE INSTALLATION PROCEDURE IS THE SAME AS THE V8 WITH THE EXCEPTION OF USING RUBBER HOSE INSTEAD OF ALUMINUM HARDLINES FROM THE CONDENSER TO DRIER LIQUID LINE, AND FROM THE DRIER TO THE EVAPORATOR. REFER TO PAGE 6 FOR HOSE ROUTING AND FITTING ANGLES. THIS TYPE OF HOSE KIT IS REFERRED TO AS "MODIFIED". YOU MAY ROUTE THE HOSES AS YOU LIKE, CUT THEM TO LENGTH, INSTALL THE FITTINGS AND REMOVE THEM FOR CRIMPING. FOLLOW CRIMPING INSTRUCTIONS INCLUDED IN HOSE KIT.

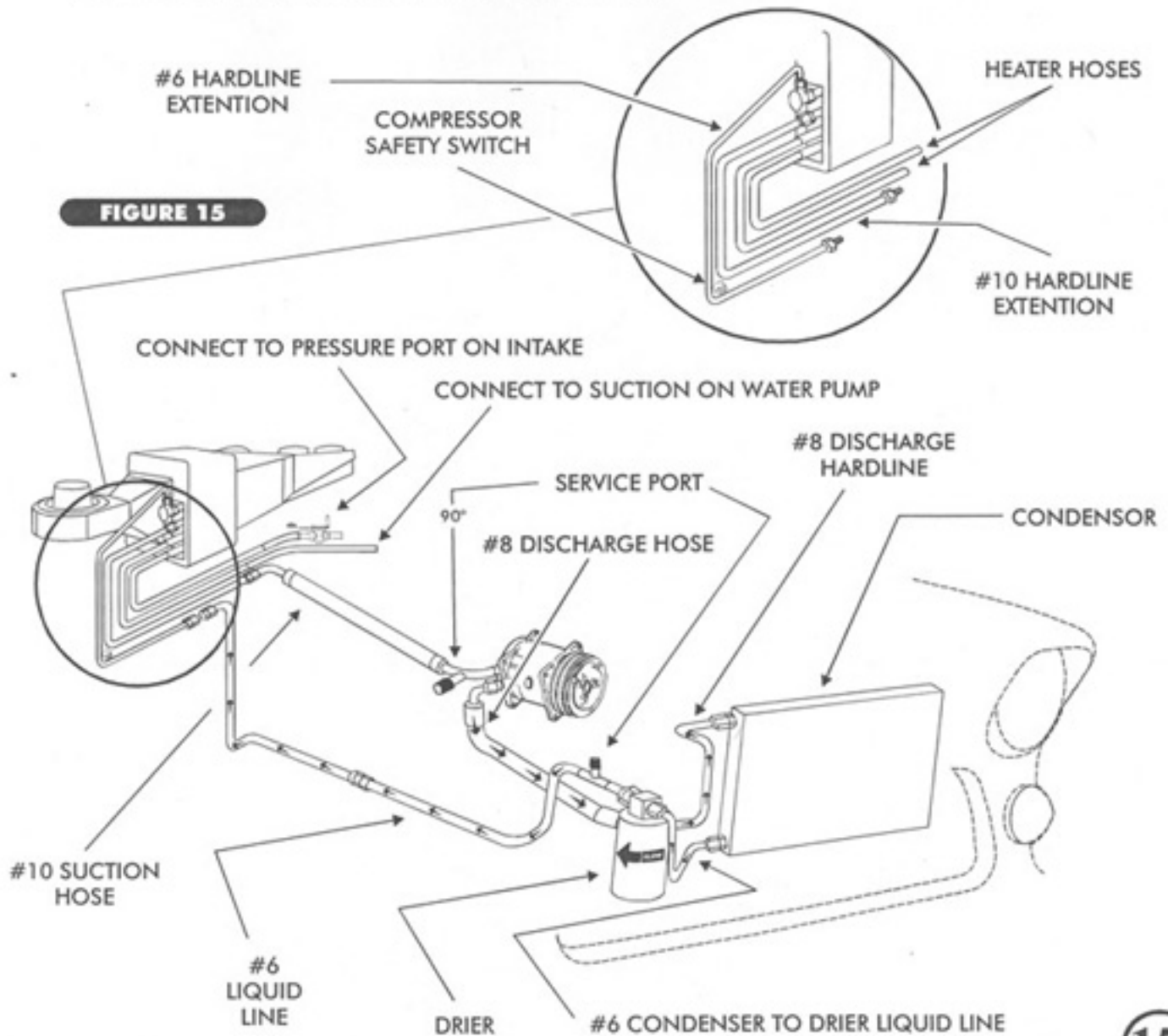
**HOSES: REFRIGERATION / HEATER**

- INSTALL THE TWO (2) CORE SUPPORT GROMMETS. LOCATE THE 1/2" O.D. #8 ALUMINUM DISCHARGE HARDLINE. THIS LINE CONNECTS TO THE TOP FITTING ON THE CONDENSOR AND COMES THRU THE CORE SUPPORT TO ENTER THE ENGINE COMPARTMENT. USING A #8 O'RING, LUBRICATE AND MAKE CONNECTION TO CONDENSOR. (SEE FIGURE 11, PG 14 AND FIGURE 15, PG 17).
- LOCATE THE 3/8" O.D. #6 ALUMINUM DRIER HARDLINE . THIS LINE CONNECTS THE LOWER CONDENSOR OUTLET TO THE DRIER. LUBRICATE AND INSTALL THE #6 O'RING SEE FIGURE 11, PG 14 AND FIGURE 15, PG 17. TIGHTEN LINE.  
**(BE SURE DIRECTION OF FLOW ARROW IS CORRECT AT DRIER)**
- LOCATE THE REMAINING TWO (2) #6 ALUMINUM HARDLINES (LONG LINES 3/8" O.D.) THESE TWO LINES CONNECT TOGETHER TO FORM THE LIQUID LINE FROM THE DRIER TO THE EVAPORATOR.(SEE FIGURE 15, PG 17)
- USING 3 #6 O'RINGS, LUBRICATE (SEE FIGURE 11 PG 14) AND MAKE CONNECTIONS AS SHOWN IN FIGURE 15. MAKE EVAPORATOR UNIT CONNECTION FIRST, DRIER CONNECTION SECOND, AND COUPLE THE TWO LINES LAST.
- FULLY TIGHTEN DRIER CLAMP AT THIS TIME
- INSTALL THE HEATER HOSE GROMMETS AND #10 HOSE GROMMET IN THE FIREWALL NOW
- LOCATE THE #8 COMPRESSOR DISCHARGE HOSE (13/32 I.D. WITH A 90° FITTING AND A STRAIGHT FITTING WITH A SERVICE PORT) LUBRICATE THE #8 O'RING (SEE FIGURE 11 AND 15) AND INSTALL IT ON THE 90° FITTING. CONNECT THE FITTING TO THE DISCHARGE FITTING ON THE COMPRESSOR. LUBRICATE ANOTHER #8 O'RING (SEE FIGURE 11) INSTALL IT ON THE STRAIGHT FITTING WITH SERVICE PORT AND CONNECT TO THE #8 HARDLINE FROM THE CONDENSOR. TIGHTEN CONNECTIONS USING TWO ( 2) WRENCHES (SEE FIGURE 12, PG 14).

- LOCATE THE #10 COMPRESSOR SUCTION HOSE (1/2" I.D. HOSE WITH TWO (2) 90° FITTINGS).
- LUBRICATE TWO (2) #10 O'RINGS (SEE FIGURE 11). INSTALL ONE (1) ON EACH END. ATTACH THE FITTING WITH THE SERVICE PORT ON THE COMPRESSOR. ATTACH THE OTHER 90° TO THE #10 EVAPORATOR HARDLINE EXTENTION. TIGHTEN USING TWO (2) WRENCHES (SEE FIGURE 12, PG 14 AND FIGURE 15, THIS PAGE).

### V8 CORE SUPPORT LINE ROUTING

(FOR 6 CYL. CORE SUPPORT LIQUID LINE ROUTING SEE PAGE 6)



**HOSES: REFRIGERATION / HEATER (CONTINUED)**

USE PRESS TAPE TO WRAP THE REMAINING EXPOSED #10 LINE AND NUT INSIDE THE CAB. INSTALL AND TIGHTEN THE AIR COMPRESSOR SAFETY SWITCH ON THE #6 EVAPORATOR LINE SEE FIGURE 15 ON PAGE 17. ATTACH THE BLUE WIRE ON THE ADJUSTABLE THERMOSTAT TO THE SPADE ON THE COMPRESSOR SAFETY SWITCH. CONNECT ANOTHER BLUE WIRE (WITH THE BULLET END) TO THE SAFETY SWITCH. CONNECT THE OTHER END TO THE COMPRESSOR. (REFER TO WIRING DIAGRAM ON PAGE 21).

ROUTE HEATER HOSES AND ATTACH AS SHOWN IN FIGURE 15. BE SURE DIRECTION OF FLOW IS CORRECT AT THE HEATER CONTROL VALVE. (BOTTOM OUTLET ON CORE ; PRESSURE) (TOP OUTLET ON CORE ; SUCTION). PRESSURE HOSE CONNECTS TO THE INTAKE MANIFOLD AND SUCTION HOSE CONNECTS TO THE WATER PUMP SUCTION PORT.

**DUCT HOSES & VENTS**

CONNECT DEFROST HOSES TO THE 2" OUTLETS ON THE DEFROST PLENUM AS SHOWN IN FIGURE 13, PAGE 15 LOCATE CENTER LOUVER ASSEMBLY. SLIDE CENTER LOUVER ASSEMBLY OVER FRONT A/C OUTLET ON EVAPORATOR UNIT. CENTER LOUVER ASSEMBLY IS THEN SECURED WITH A 10/32" MACHINE BOLT & NUT AS SHOWN IN FIGURE 16, PAGE 19. LOCATE THE 2 1/2" X 36" DUCT HOSE AND ROUTE FROM THE A/C PLENUM TO THE DRIVER SIDE BALL LOUVER (SEE FIGURE 13, PG15) ATTACH THE HOSE TO THE LOUVER AND ATTACH THE LOUVER TO THE KICK PANEL UNDER THE DASH. (MAKE SURE YOU CAN OPERATE THE EMERGENCY BRAKE BEFORE INSTALLING THE TWO # 6" X 3/8" PANHEAD SHEET METAL SCREWS).

LOCATE THE PASSENGER SIDE BALL LOUVER ASSEMBLY. LOCATE THE 2 1/2" X 14" LONG HOSE. ATTACH THIS HOSE TO THE BALL LOUVER ASSEMBLY. CONNECT HOSE ON PASSENGER SIDE VENT TO THE DIRECTIONAL ADAPTER LOCATED BEHIND THE EVAPORATOR UNIT. THE LOUVER VENT ASSEMBLY IS NOW ATTACHED TO PASSENGER SIDE KICKPANEL AND UNDER THE BLOWER MOTOR PLENUM USING 2 #6" X 3/8" PAN HEAD SHEET METAL SCREWS AS SHOWN IN FIGURE 16, PAGE 15.

LOCATE THE HOSE COVER AND INSTALL IT AGAINST THE EVAPORATOR AND KICKPANEL. ATTACH USING TWO (2) #6" X 1/2" PAN HEAD SHEET METAL SCREWS INTO THE FIREWALL AND TWO (2) 6 X 3/8" SCREWS UP THRU THE TOP BRACKET OF HOSE COVER AS SHOWN IN FIGURE 13, PAGE 15.

ROUTE THE DUCT HOSE ON THE TOP OUTLET OF THE DIRECTIONAL ADAPTER AND CONNECT IT TO THE OVAL HOSE ADAPTER ON THE EVAPORATOR. (THE HOSE MUST BE ROUTED OVER THE EVAPORATOR AND INTO THE POCKET ABOVE THE GLOVE BOX. INSTALL THE RETAINER TO KEEP THE HOSE IN THIS POSITION. SEE FIGURE 13, PAGE 15.

**FINAL STEPS**

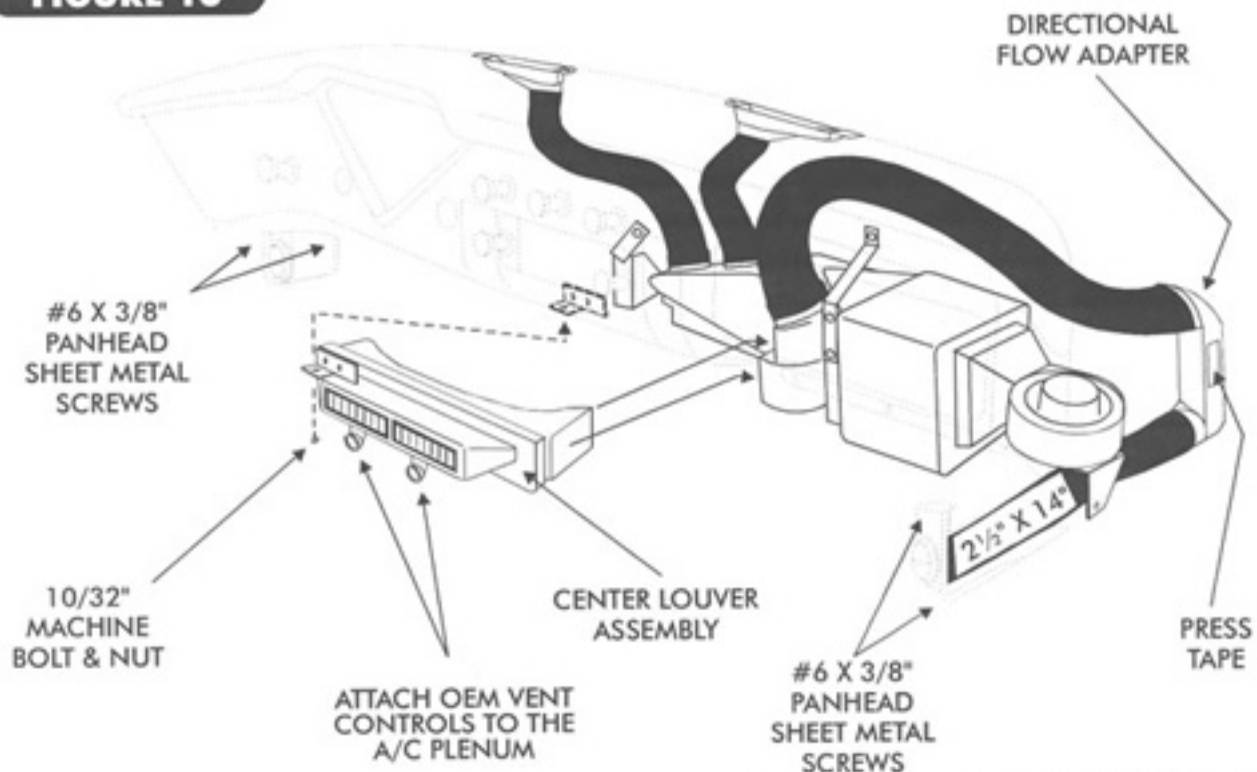
INSTALL THE GLOVE BOX AND MARK ALL THE HOLES. REMOVE THE BOX AND PRE-DRILL THE HOLES TO ACCEPT THE OEM SCREWS. INSTALL THE GLOVE BOX AND THE DOOR USING THE OEM HARDWARE.

ATTACH DRAIN HOSE AND ROUTE AS SHOWN IN FIGURE 13a, PAGE 15.

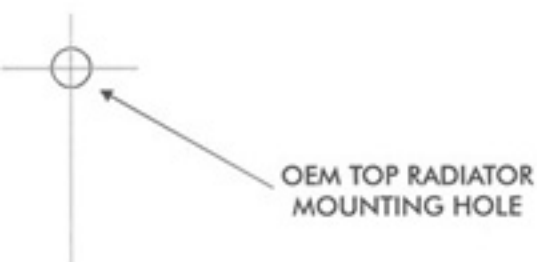
REATTACH THE OEM FRESH AIR VENT CONTROL CABLES TO THE BOTTOM OF THE CENTER LOUVER OUTLETS.(THIS WILL REQUIRE ROUTING PASS CABLE UNDER THE EVAPORATOR UNIT) SEE FIGURE 16, PAGE 19.

**FINAL STEPS**

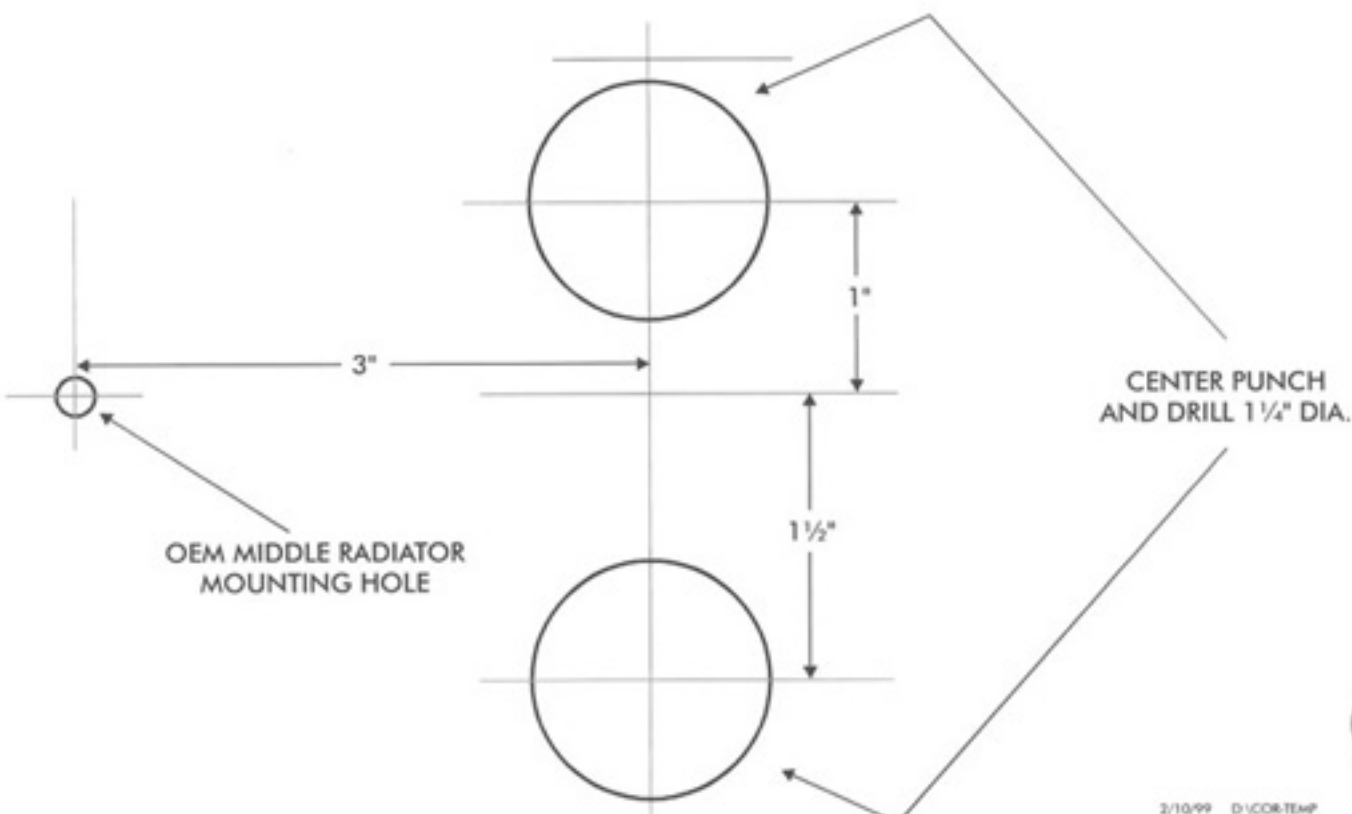
- RE INSTALL ANY PREVIOUSLY REMOVED COMPONENTS (BATTERY, RADIO, ETC.).
- FILL RADIATOR WITH AT LEAST A 50/50 MIXTURE OF APPROVED ANTIFREEZE AND WATER. IT IS THE OWNER'S RESPONSIBILITY TO KEEP THE FREEZE PROTECTION AT THE PROPER LEVEL FOR THE CLIMATE IN WHICH THE VEHICLE IS OPERATED. FAILURE TO FOLLOW ANTIFREEZE RECOMMENDATIONS WILL CAUSE HEATER CORE TO CORRODE PREMATURELY AND POSSIBLY BURST IN A/C MODE AND/OR FREEZING WEATHER, VOIDING YOUR WARRANTY.
- CHECK COMPLETE A/C ASSEMBLY FOR PROPER OPERATION.
- VINTAGE AIR RECOMMENDS THAT ALL A/C SYSTEMS BE SERVICED BY A CERTIFIED AUTOMOTIVE AIR CONDITIONING TECHNICIAN ONLY. SEE INSIDE COVER FOR SERVICE INFORMATION.

**FIGURE 16**


**FULL SCALE 1:1**

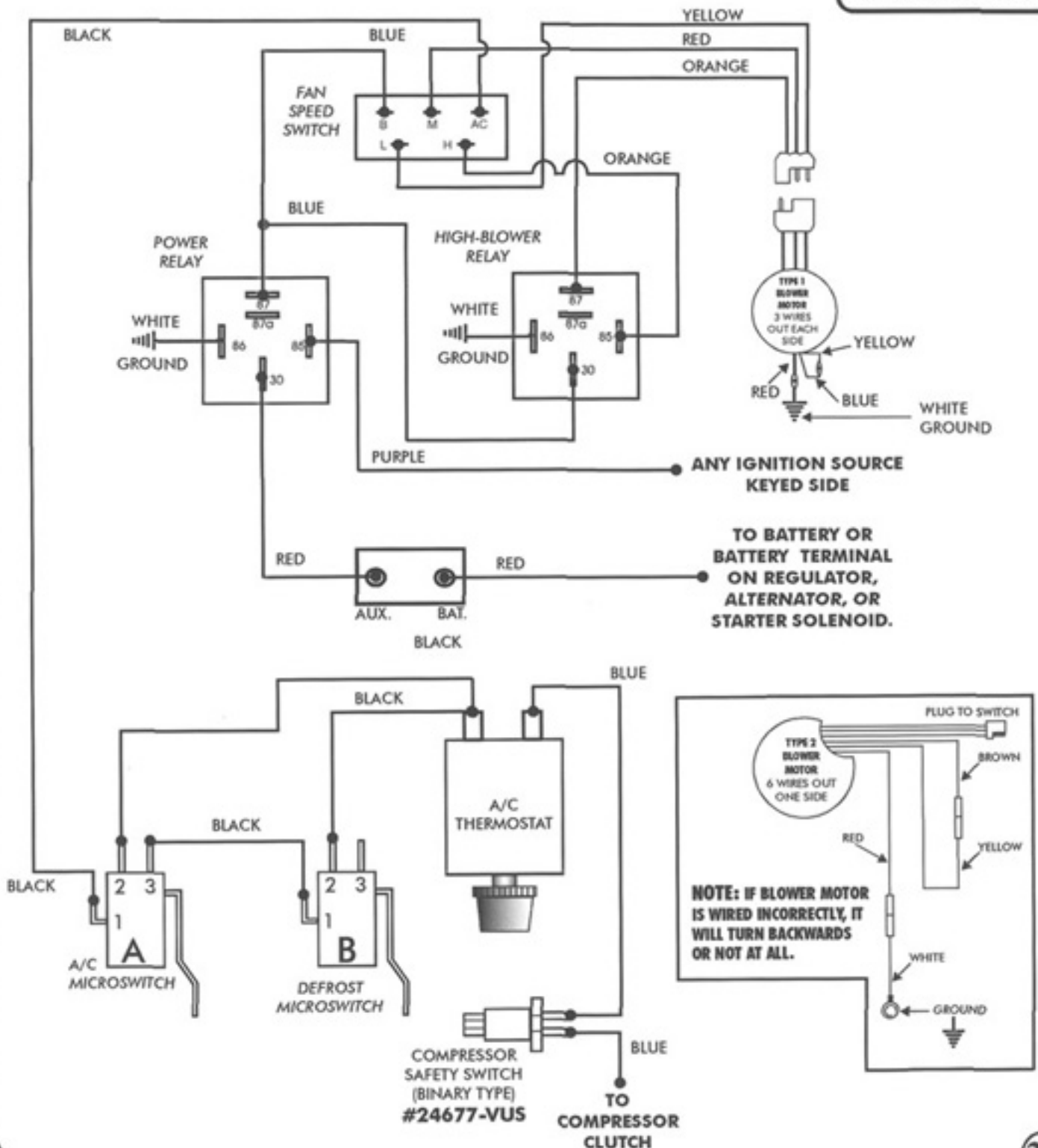


**PLACE ON ENGINE SIDE OF THE CORE SUPPORT  
ON THE PASSENGER SIDE  
ALIGN THE TOP RADIATOR MOUNTING HOLE  
AND THE MIDDLE MOUNTING HOLE  
WITH THE HOLES IN THE TEMPLATE.  
TAPE THE TEMPLATE IN PLACE AND CENTER  
PUNCH THE TWO (2) 1 1/4" O.D. HOLES.  
REMOVE TEMPLATE AND DRILL TO SIZES INDICATED**



**IMPORTANT NOTICE:**

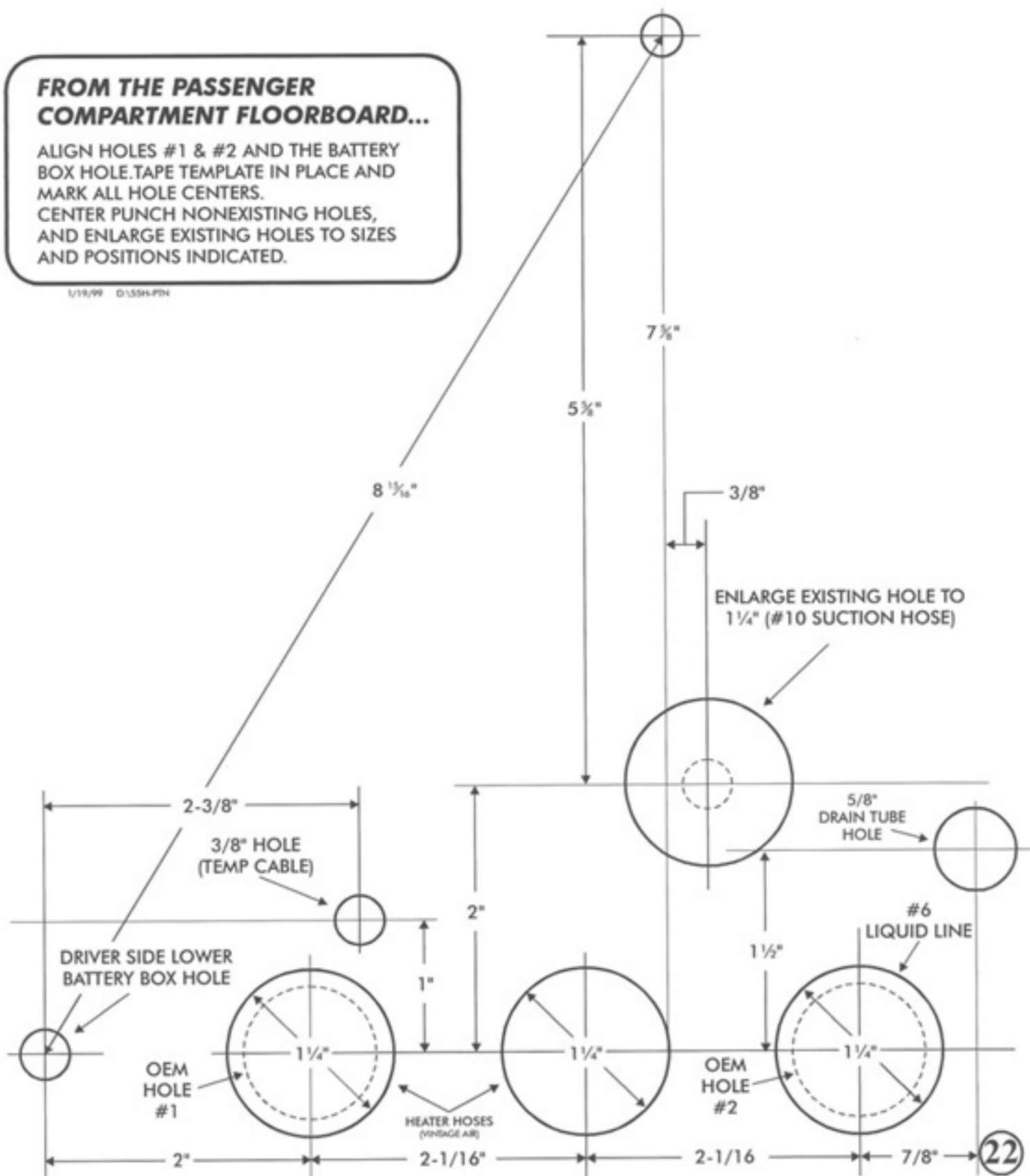
IDENTIFY YOUR BLOWER MOTOR BEFORE WIRING  
**TYPE 1 MOTOR OR TYPE 2 MOTOR**



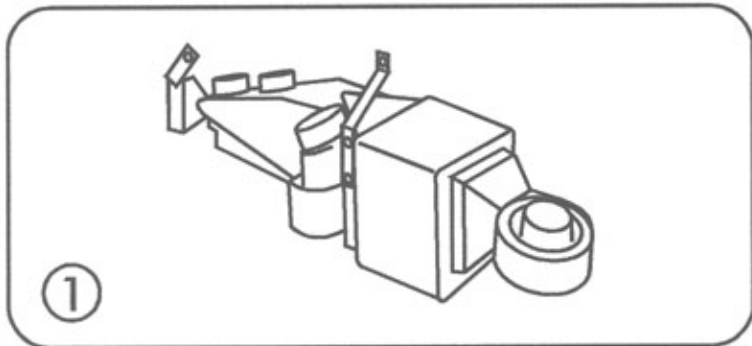
## FROM THE PASSENGER COMPARTMENT FLOORBOARD...

ALIGN HOLES #1 & #2 AND THE BATTERY BOX HOLE. TAPE TEMPLATE IN PLACE AND MARK ALL HOLE CENTERS. CENTER PUNCH NONEXISTING HOLES, AND ENLARGE EXISTING HOLES TO SIZES AND POSITIONS INDICATED.

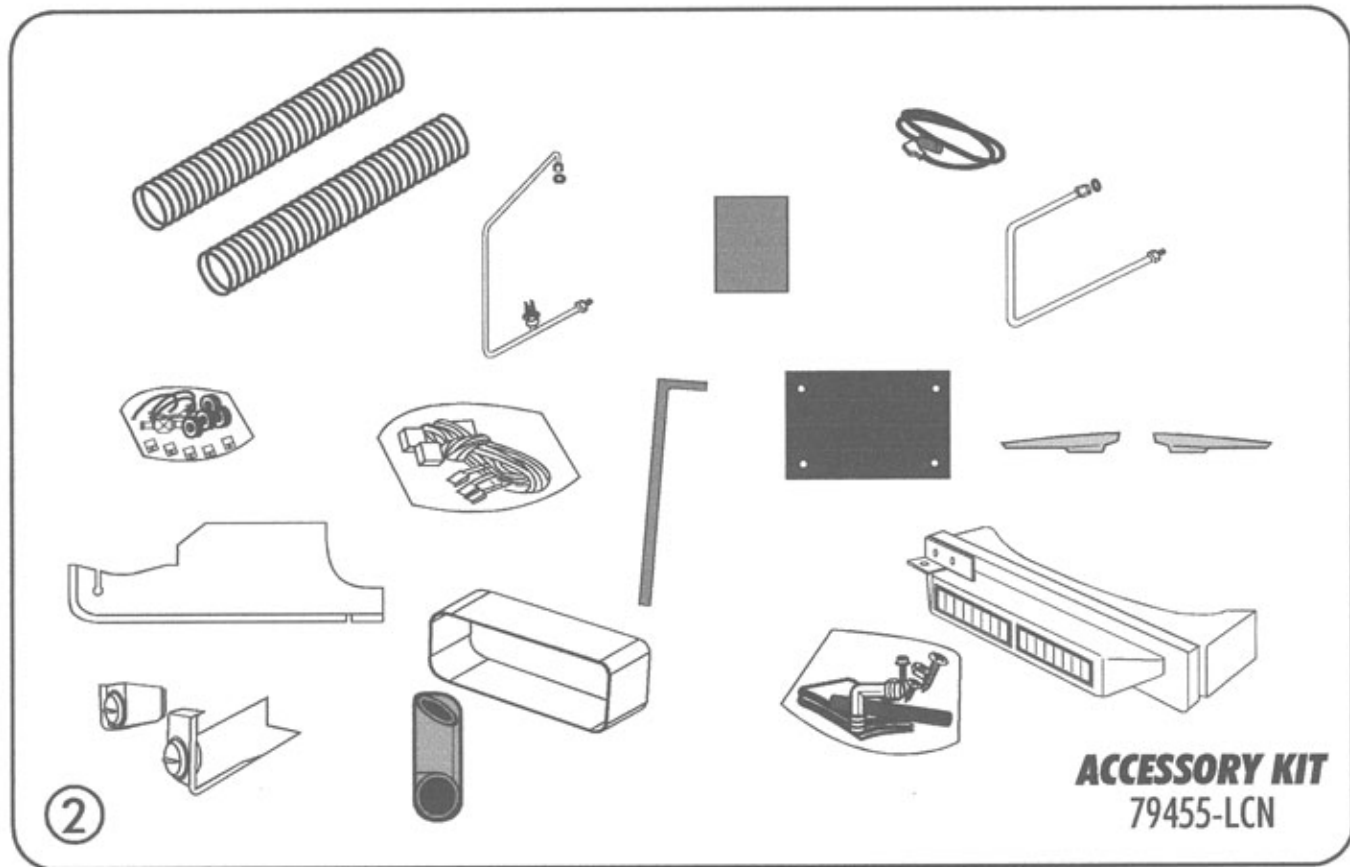
1/19/99 D:\SSHS\FD4







## EVAPORATOR KIT 75055-LCZ-A



## ACCESSORY KIT 79455-LCN

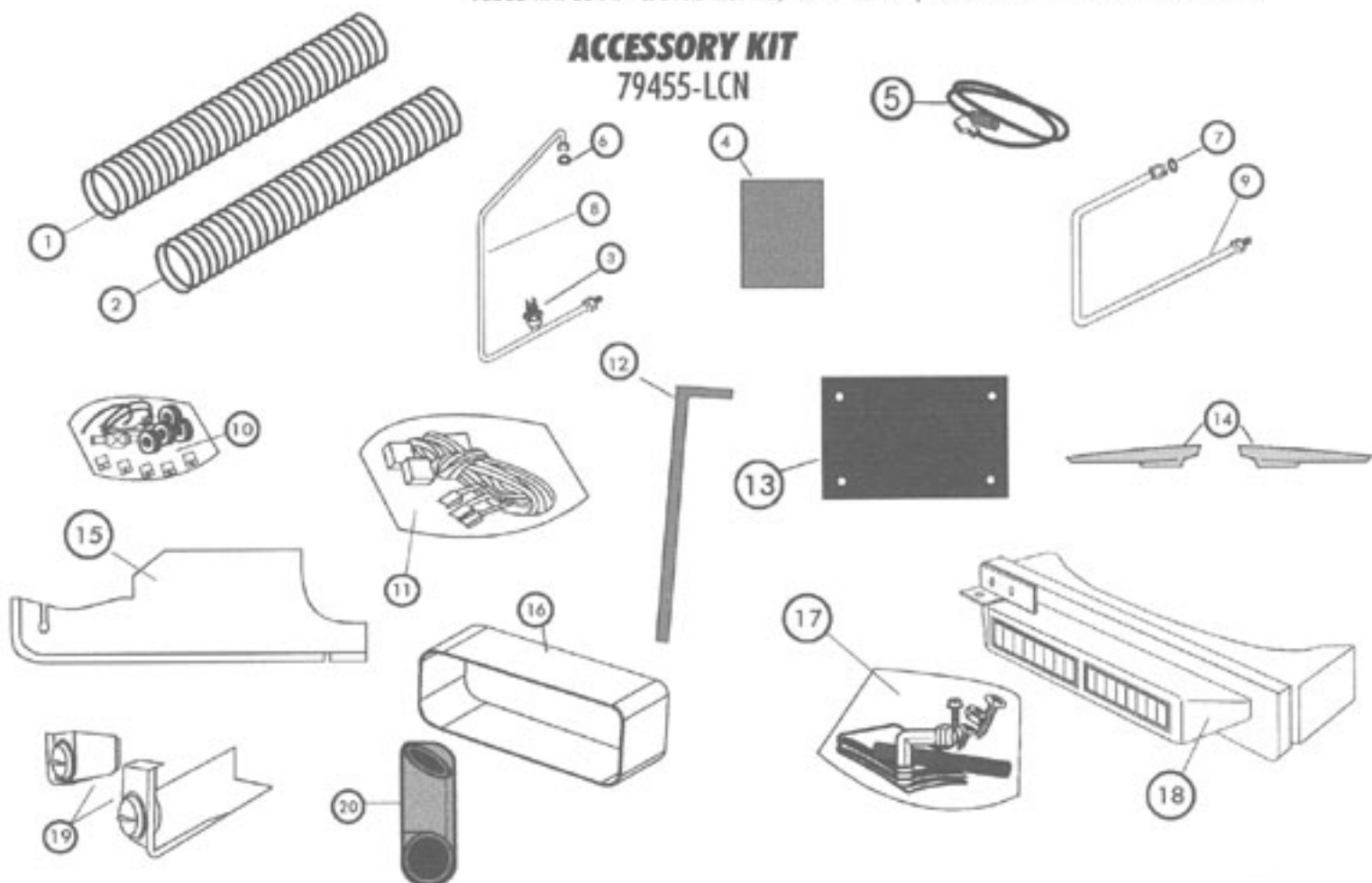
### 1955-59 CHEVY TRUCK V8 SMALL BLOCK CHEVY EVAPORATOR KIT PACKING LIST

No.	QTY.	PART No.	DESCRIPTION
1.	1	55378-LCE-A	EVAPORATOR SUBCASE
2.	1	79455-LCN	1955-59 CHEVY TRUCK SMALL BLOCK V-8 ACCESSORY KIT

CHECKED BY: \_\_\_\_\_  
 PACKED BY: \_\_\_\_\_  
 DATE: \_\_\_\_\_

## ACCESSORY KIT

79455-LCN



### 1955-59 CHEVY TRUCK V8 SMALL BLOCK

#### ACCESSORY KIT PACKING LIST

No.	QTY.	PART No.	DESCRIPTION
1.	3	06200-VUE	2" DUCT HOSE
2.	8	06250-VUE	2-1/2" DUCT HOSE
3.	1	11078-VUS	BINARY SWITCH
4.	1	20155-LCP	1/4" x 9" x 12" EVAPORATOR PAD
5.	1	23135-VUW	COMPRESSOR LEAD
6.	1	33857-VUF	#6 O'RING
7.	1	33859-VUF	#10 O'RING
8.	1	35155-LCG	55-59 CHEVY P-UP #6 EVAPORATOR HARDLINE
9.	1	35156-LCG	55-59 CHEVY P-UP #10 EVAPORATOR HARDLINE
10.	1	46802-LCH	55-59 CHEVY P-UP CABLE KIT
11.	1	49155-LCI	55-59 CHEVY P-UP WIRING KIT
12.	1	49174-VCI	55-59 CHEVY P-UP PS DUCT HOSE RETAINER
13.	1	62108-VCE	55-59 CHEVY FRESH AIR CAP (COVER)
14.	1	62143-LCE	55-59 CHEVY P-UP DEFROST DUCT ASSEMBLY
15.	1	62494-VCE	55-59 CHEVY P-UP HOSE COVER
16.	1	62497-VCE	55-59 CHEVY P-UP GLOVE BOX
17.	1	63500-LCE	55-59 CHEVY P-UP INSTALLATION KIT
18.	1	63800-LCL	55-59 CHEVY P-UP CENTER LOUVER ASSEMBLY
19.	1	63801-LCL	55-59 CHEVY P-UP DRIVER/PS LOUVER ASSEMBLY
20.	1	63802-LCI	55-59 CHEVY P-UP PS SIDE AC DIRECTIONAL ADAPTER

CHECKED BY: \_\_\_\_\_  
 PACKED BY: \_\_\_\_\_  
 DATE: \_\_\_\_\_